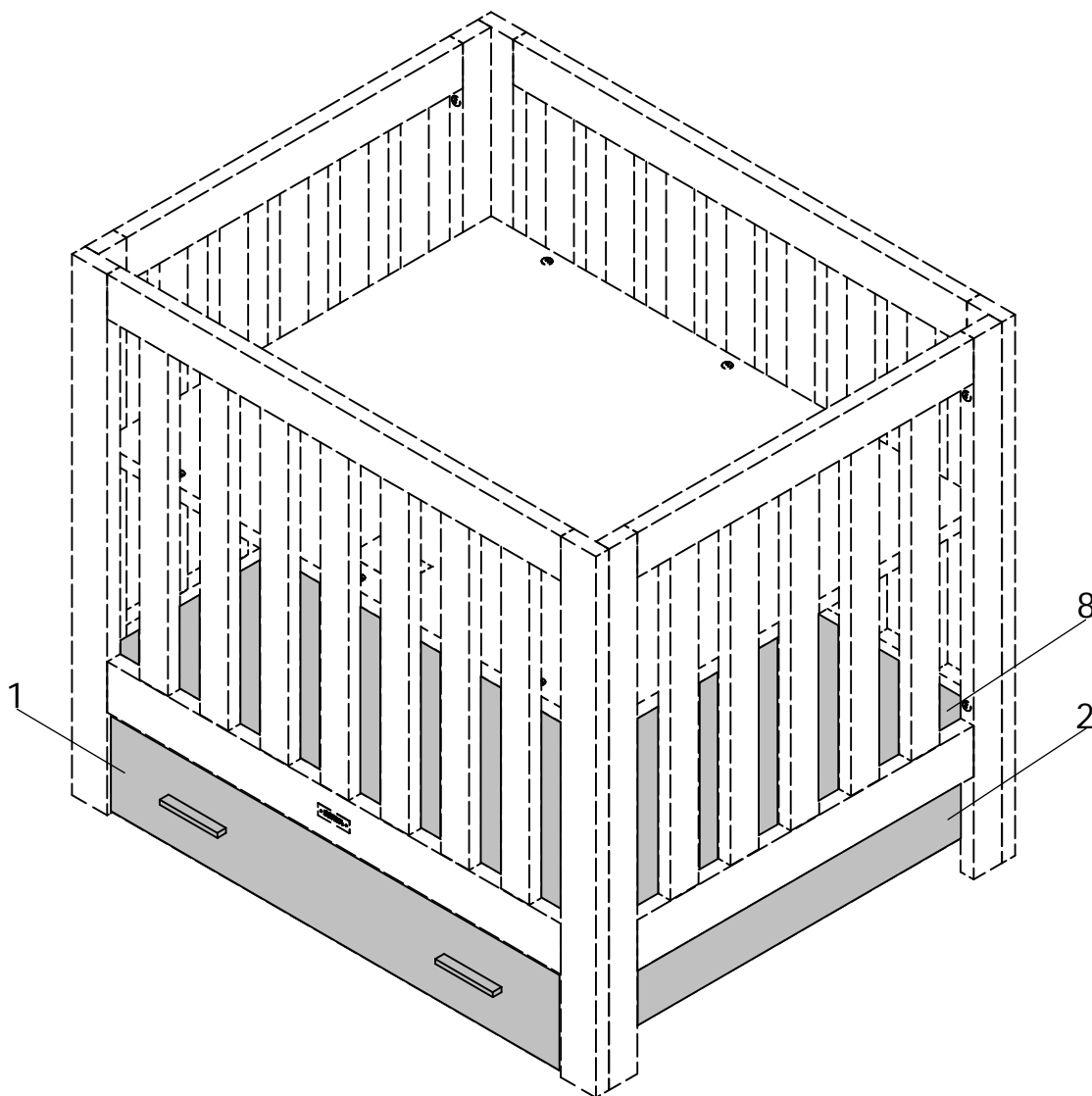


bopita[®]

ASSEMBLY INSTRUCTION
MONTAGE HANDLEIDING
MONTAGE ANLEITUNG
NOTICE DE MONTAGE
MANUAL DE MONTAJE

UK
NL
D
F
ESP

MODEL : 85X77X18
TYPE : DRAWER
COLOUR : WHITE
ART.CODE : 1109.11.




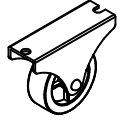

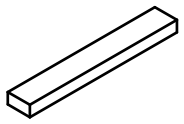



Distributor:

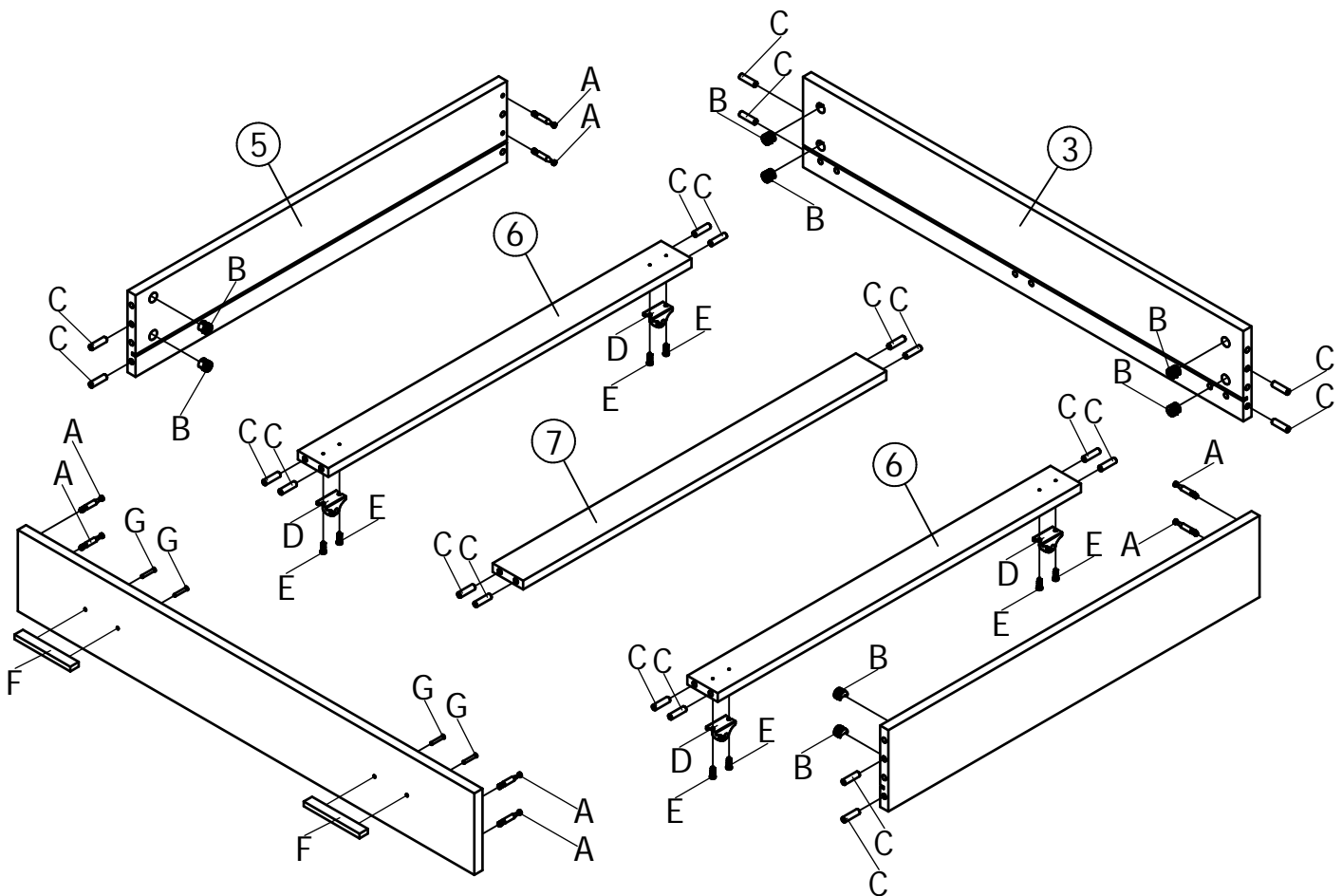
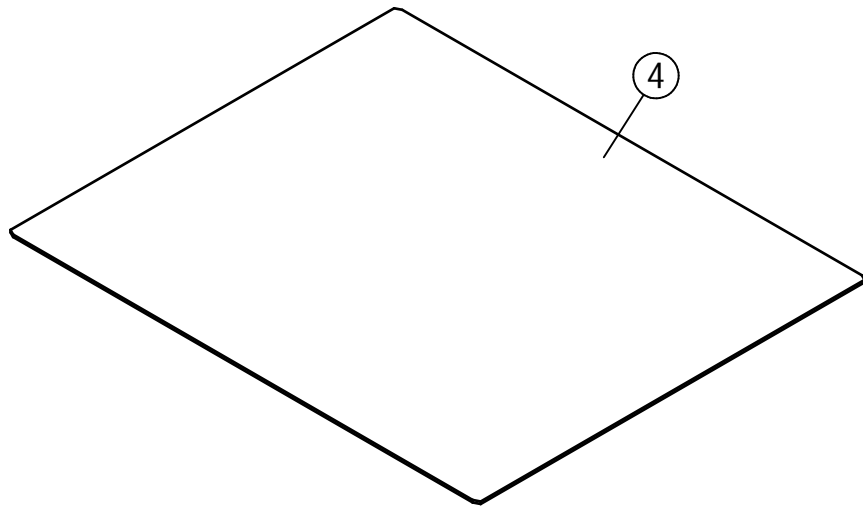
BOPITA
Edisonweg 3, 6662 NW Elst
The Netherlands

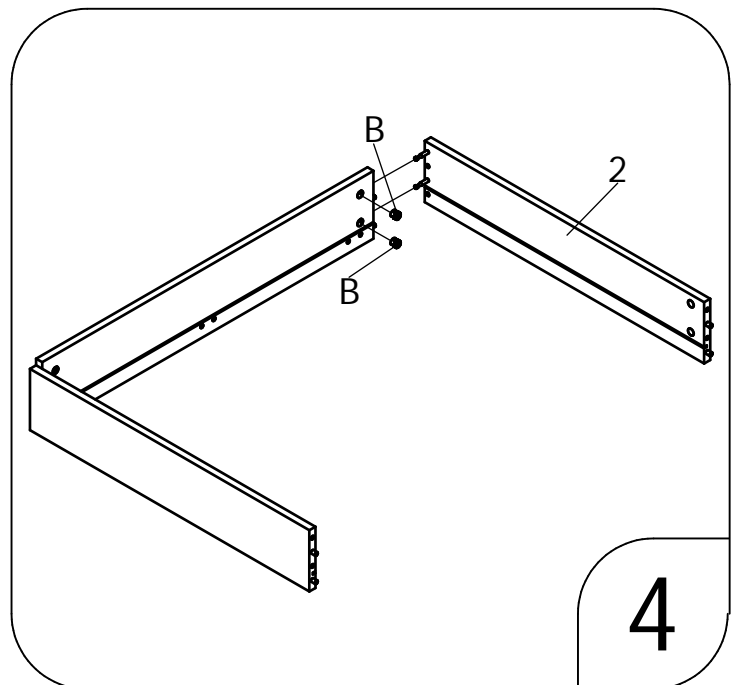
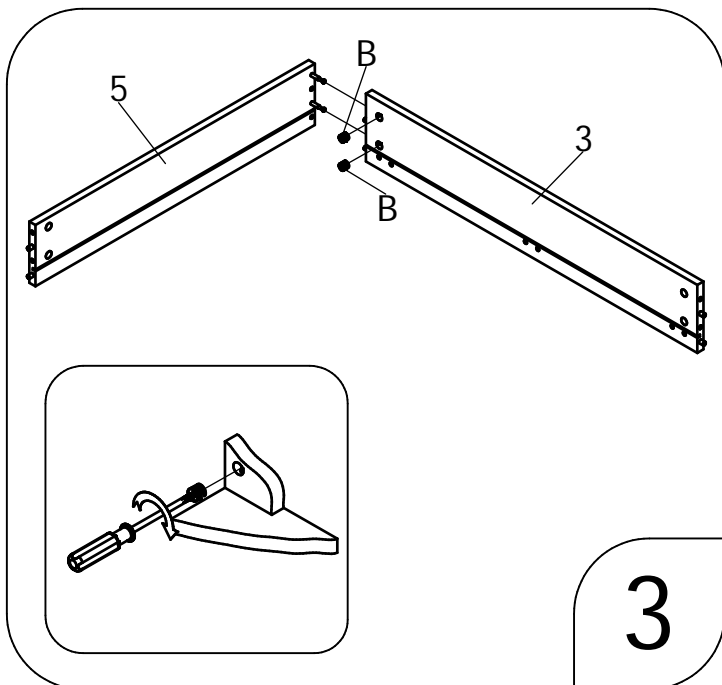
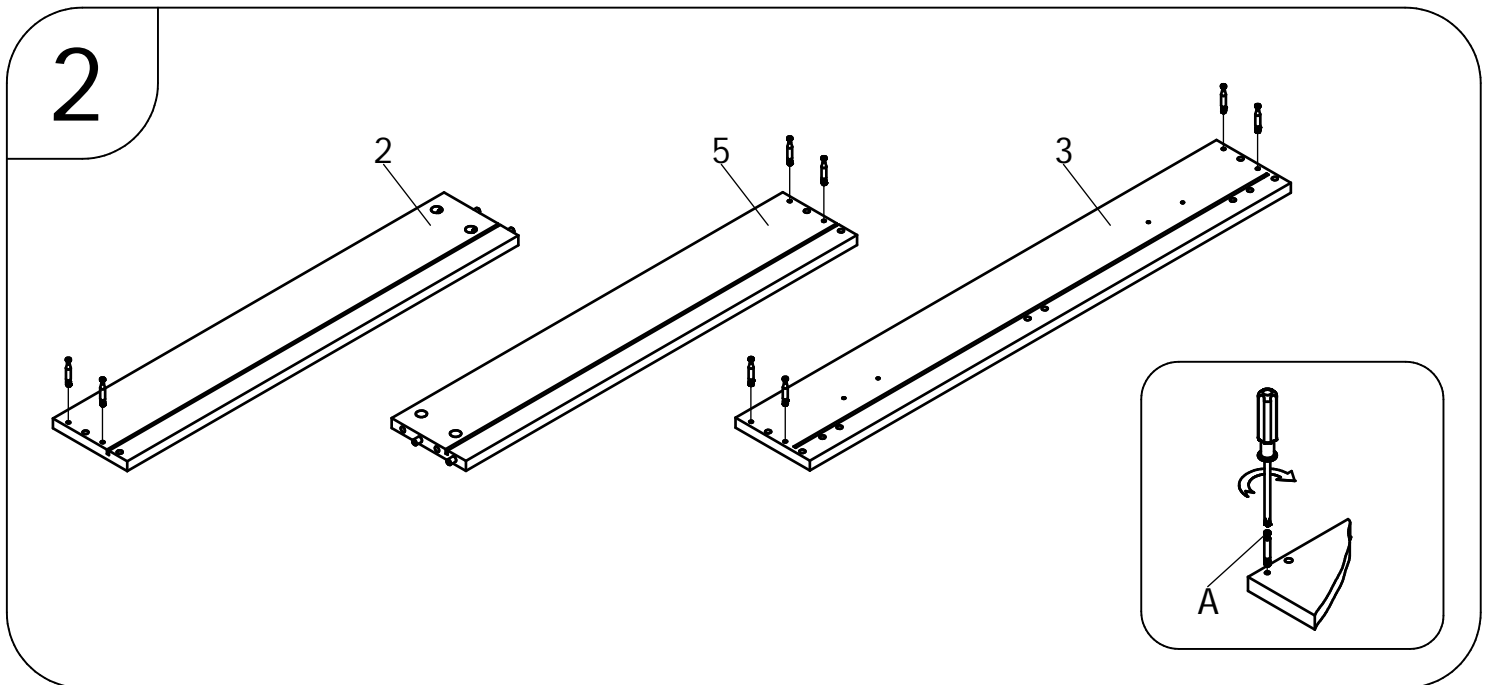
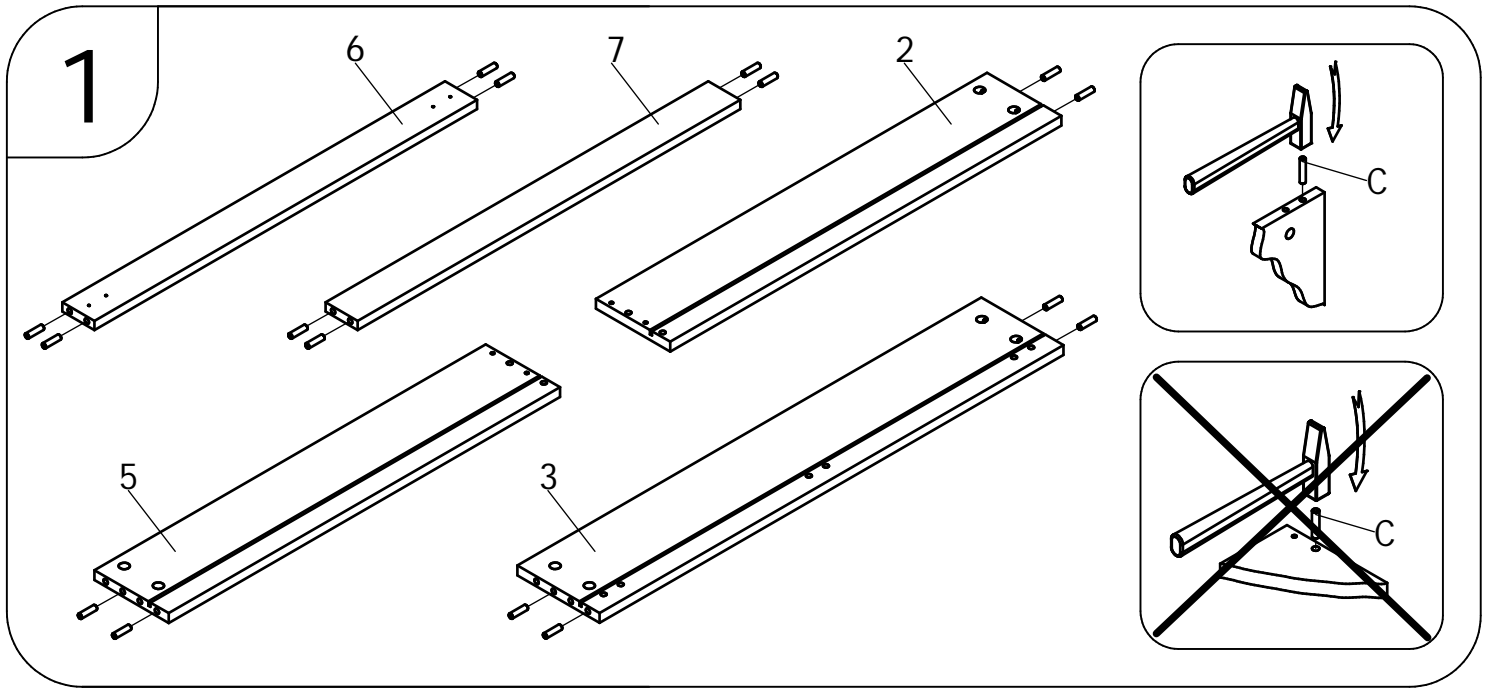
www.bopita.com

12.10.2017.

<p>A</p>  <p>8X</p>	<p>B</p>  <p>8X</p>	<p>C</p>  <p>Ø8X30 20X</p>	<p>D</p>  <p>4X</p>	<p>E</p>  <p>4X16 8X</p>	<p>F</p>  <p>2X</p>				
artcode:444003		artcode:444004		artcode:973012		artcode:431011		artcode:978002	

<p>G</p>  <p>M4x20 4X</p>
artcode:443201

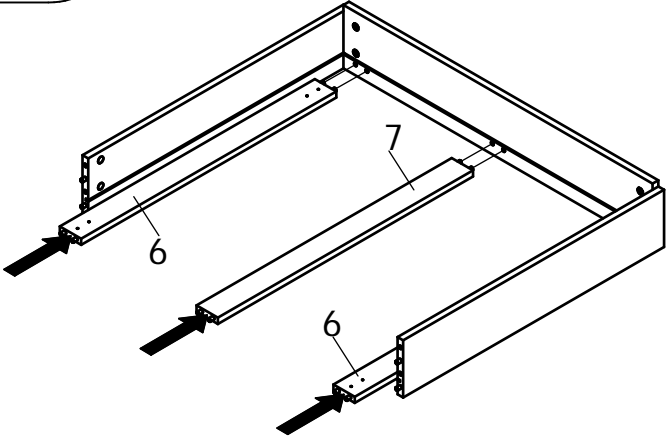




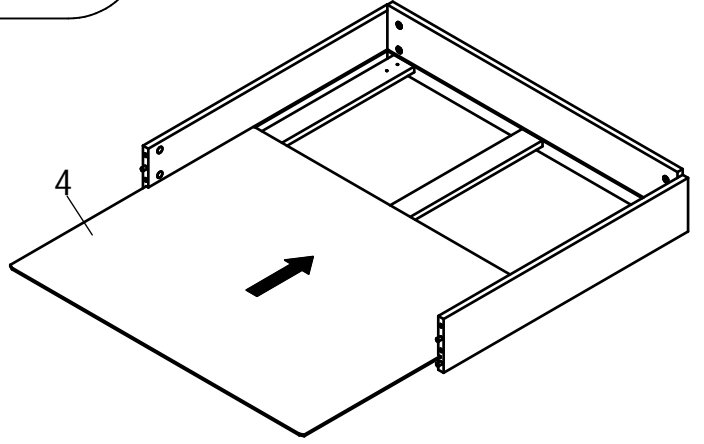
3

4

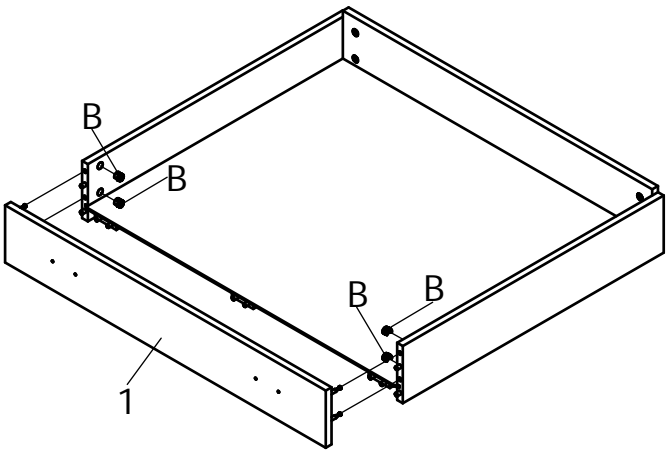
5



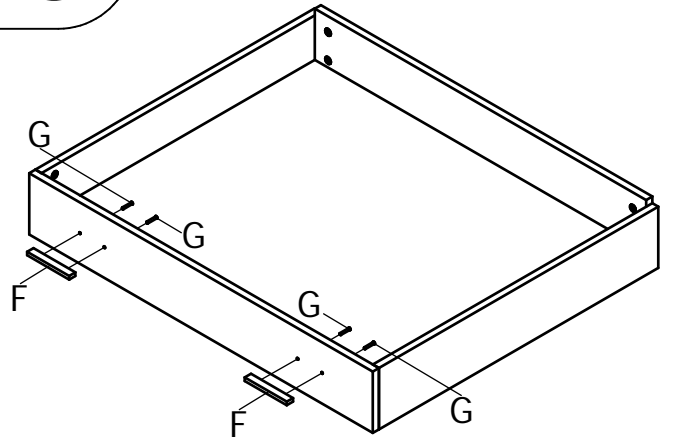
6



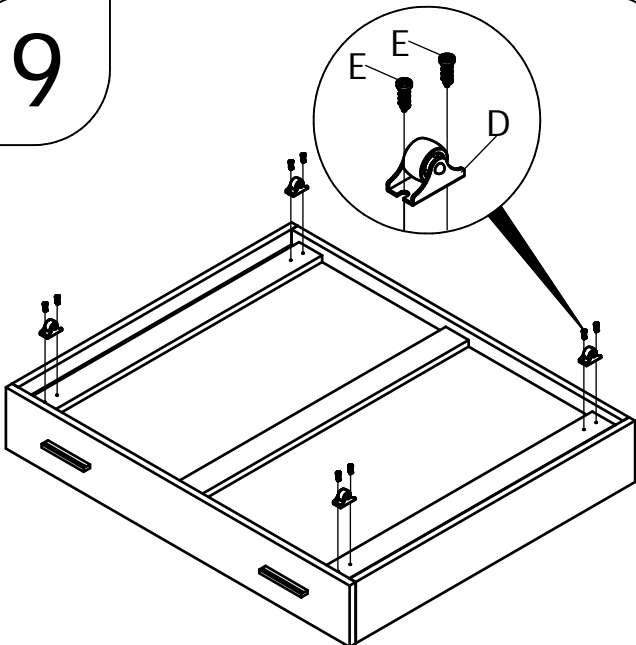
7



8



9



10

