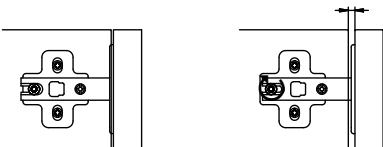
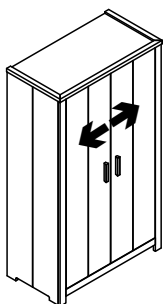
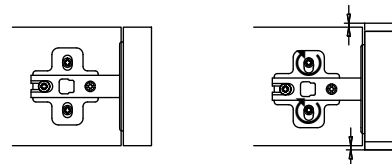
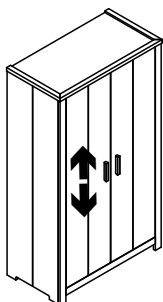
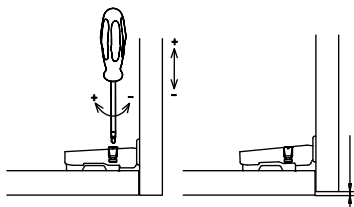
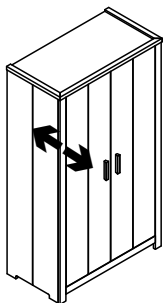
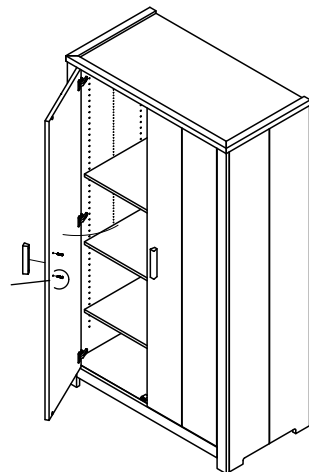
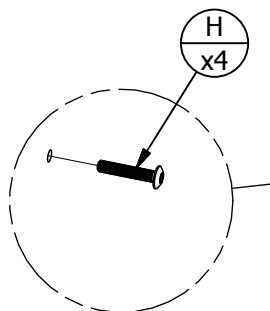


VII.



VIII.



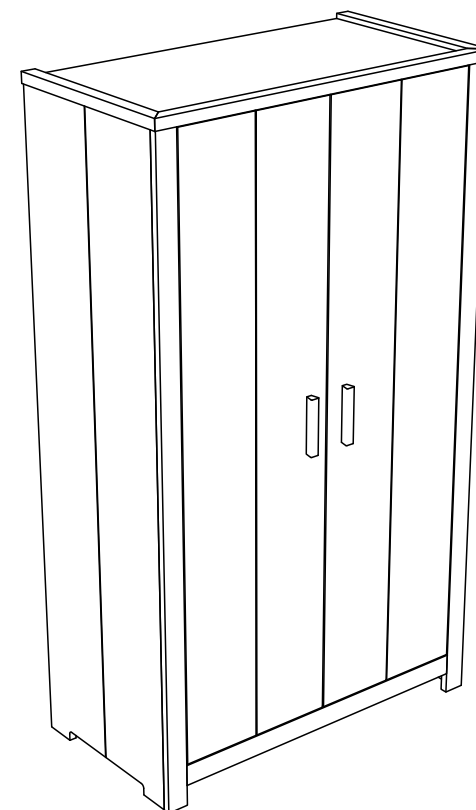
8.

bopita®

ASSEMBLY INSTRUCTION
MONTAGE HANDLEIDING
MONTAGE ANLEITUNG
NOTICE DE MONTAGE
MANUAL DE MONTAJE

UK
NL
D
F
ESP

MODEL: BASIC WOOD
TYPE: Wardrobe 185 cm
COLOUR: White Wash
ART: CODE: 116107 34

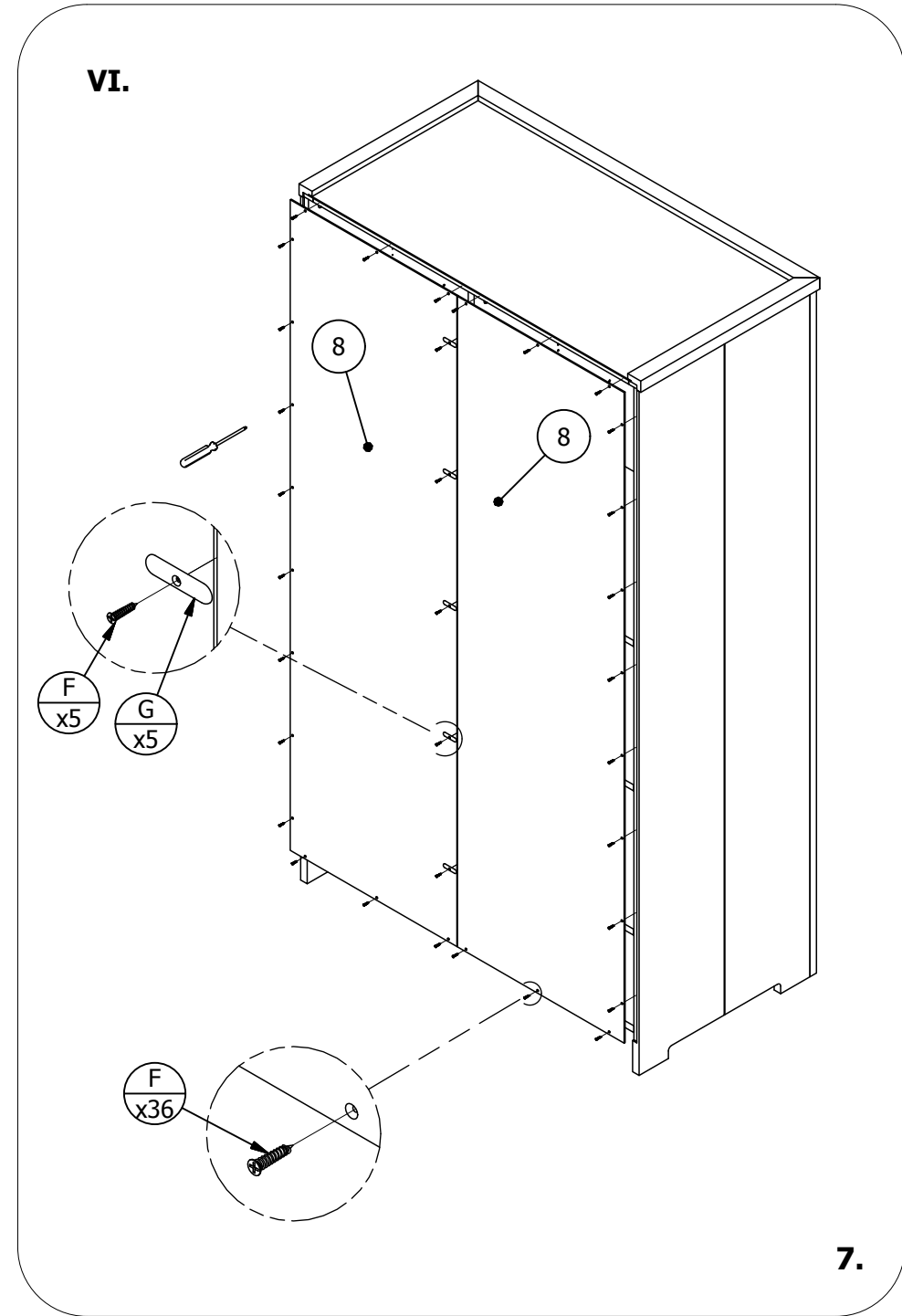
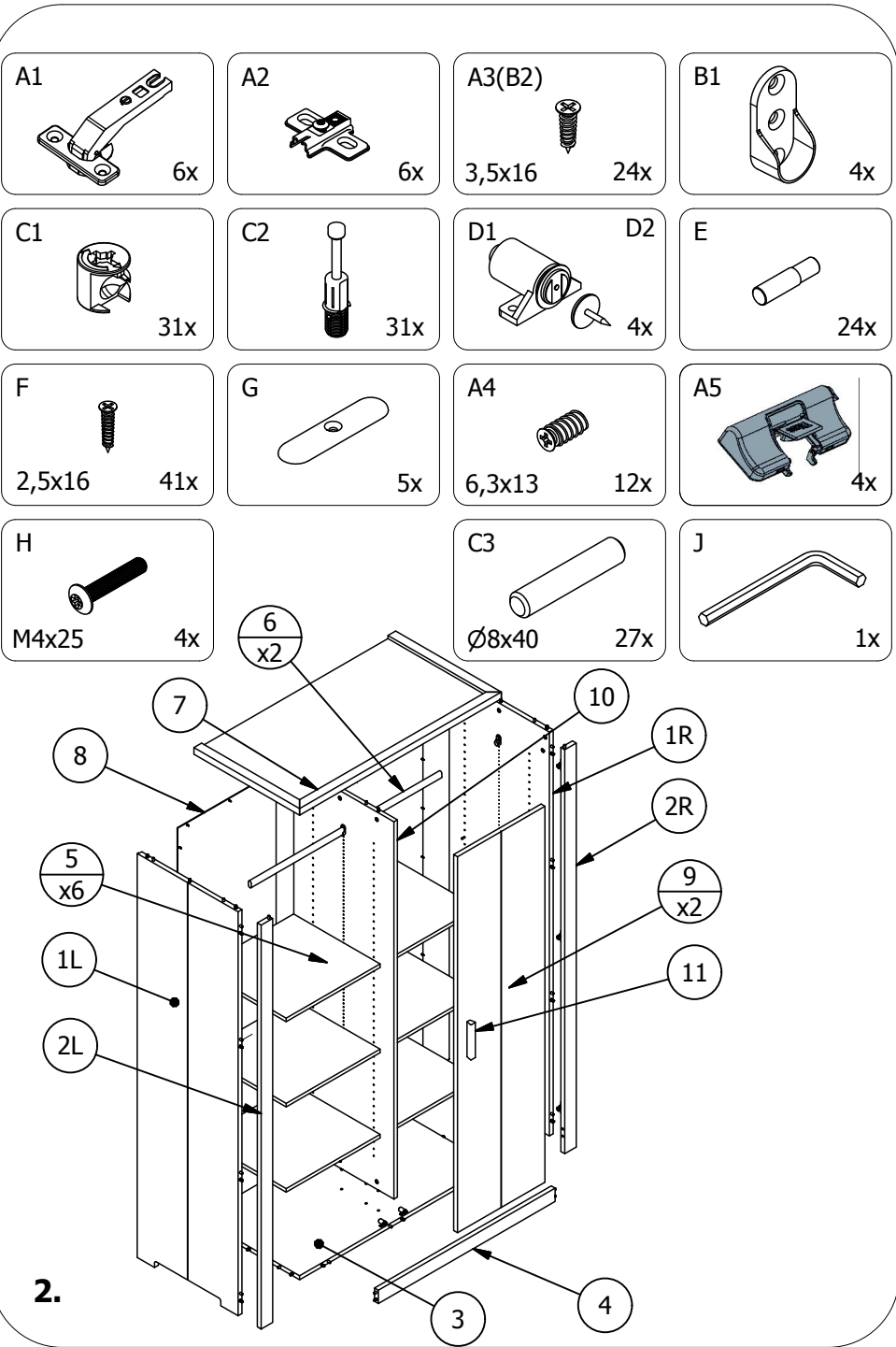


Distributor:
BOPITA
Edisonweg 36662 NW Elst
The Netherlands
www.bopita.com

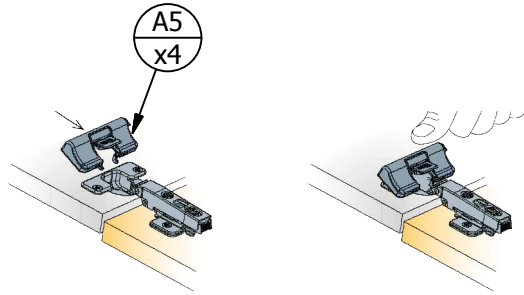


1.

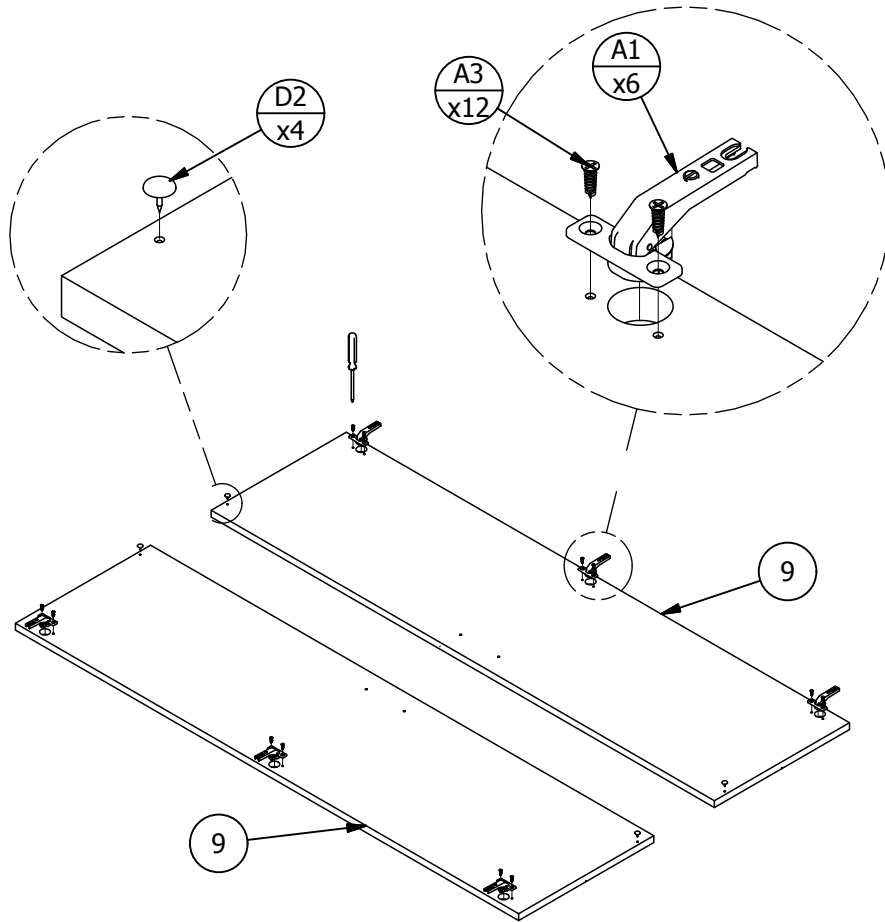
03.10.2017



V.



A5
x4



D2
x4

A3
x12

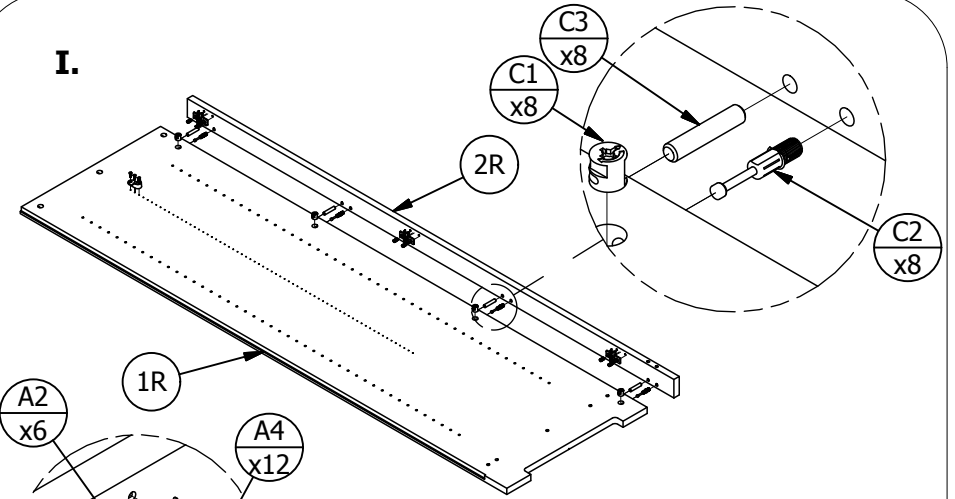
A1
x6

9

9

6.

I.



C3
x8

C1
x8

2R

C2
x8

1R

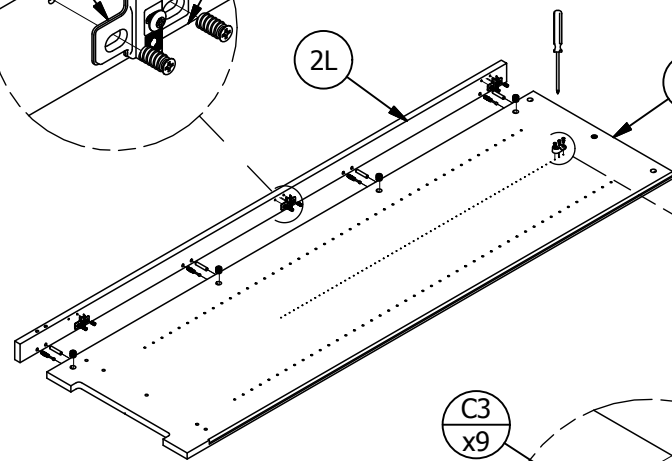
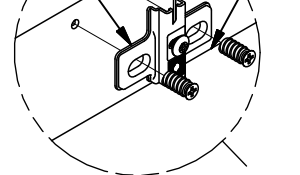
A2
x6

A4
x12

2L

1L

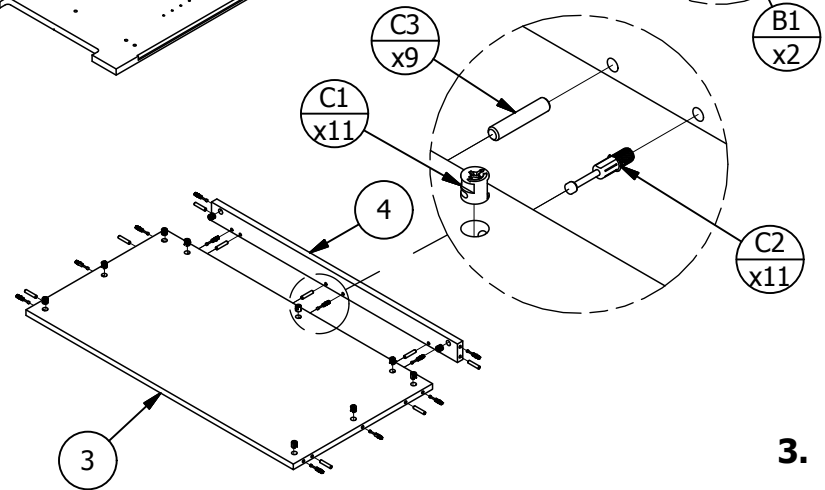
A2
x6



B1
x6

B1
x2

II.



C3
x9

C1
x11

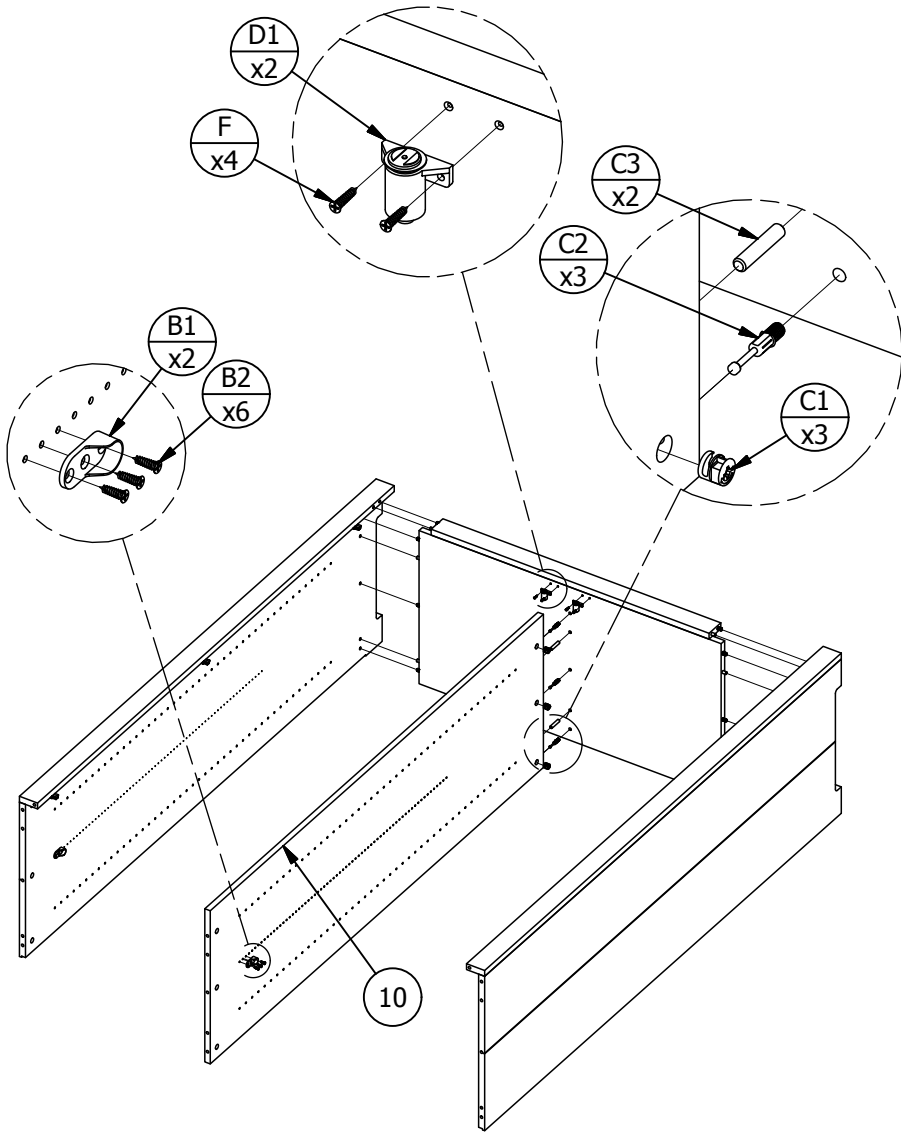
4

C2
x11

3

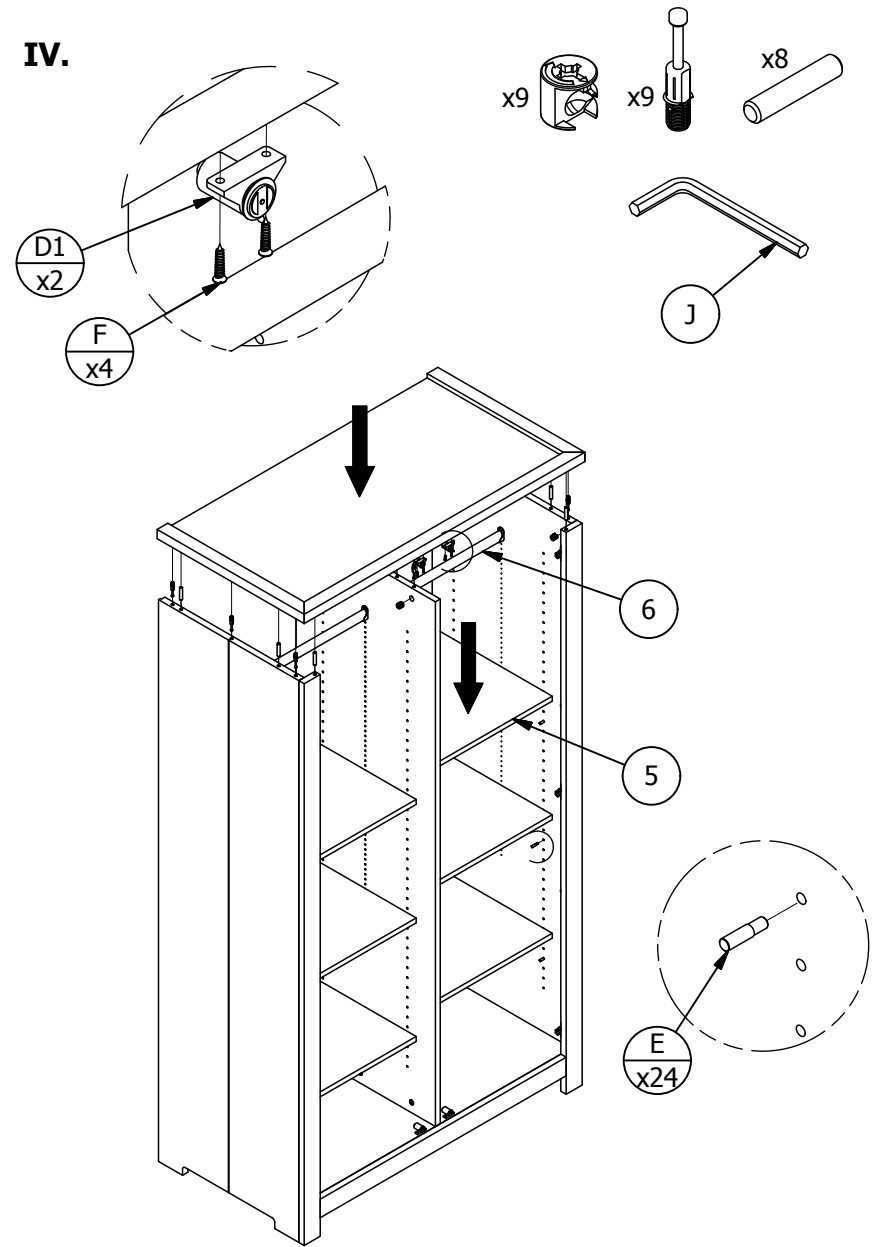
3.

III.



4.

IV.



5.