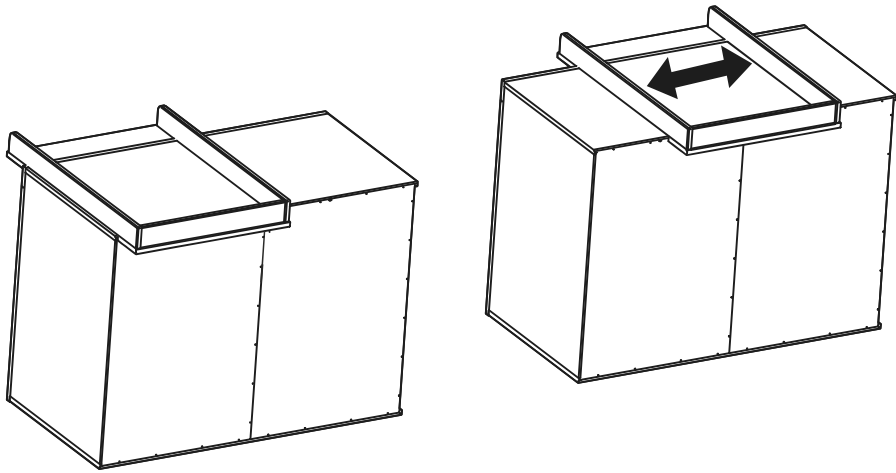


11

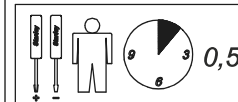
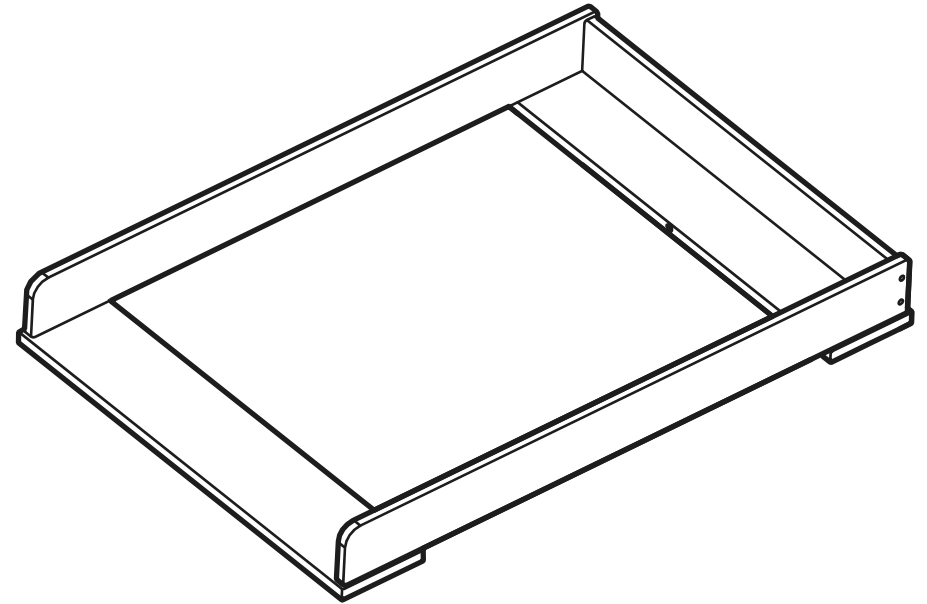


Instruction Manual

SQUARE

BARRIER

13711711



DISTRIBUTOR:

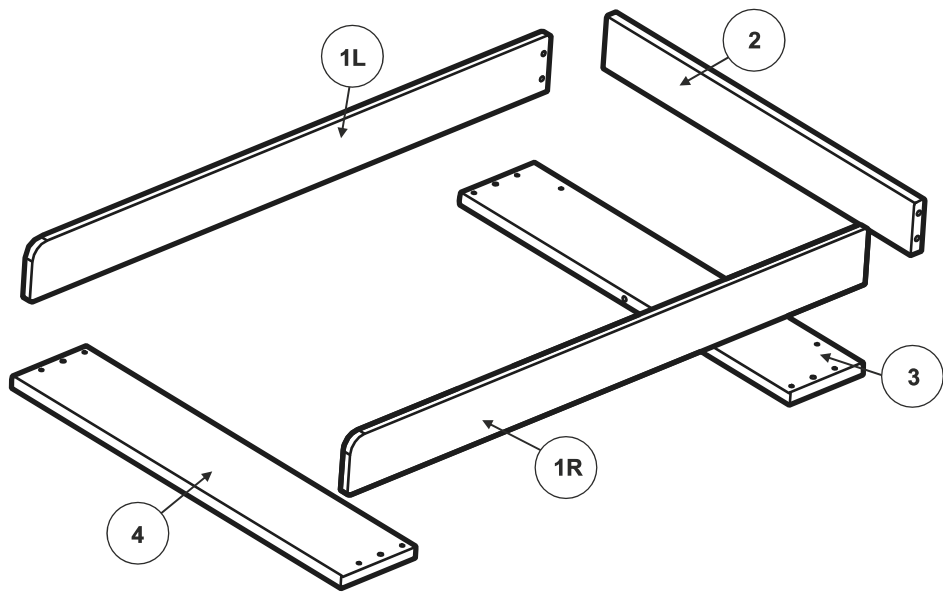
BOPITA

Edisonweg 3, 6662 NW Elst

The Netherlands

www.bopita.com

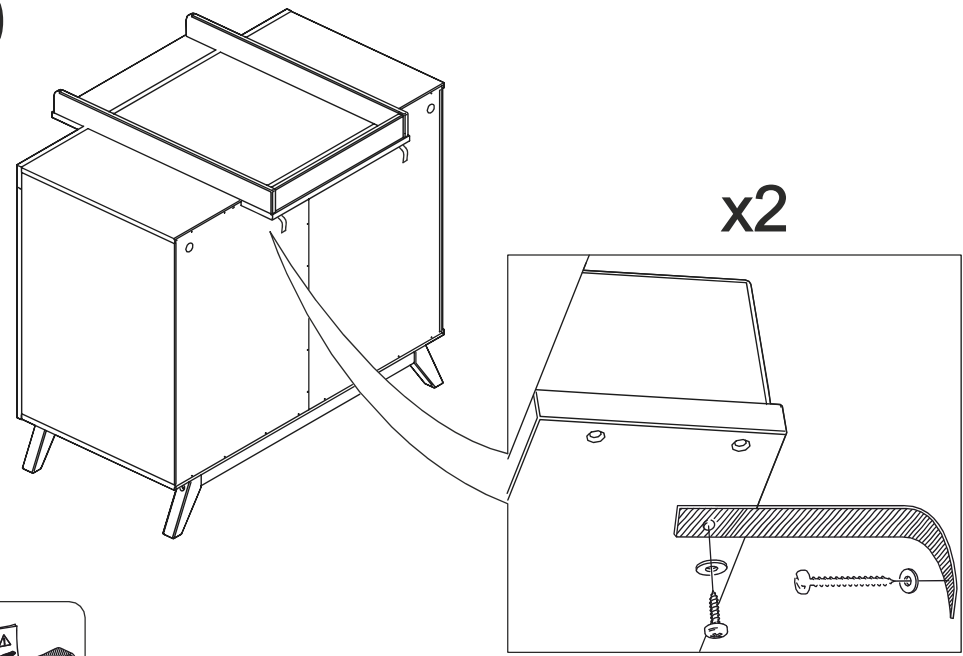
13.11.2018.



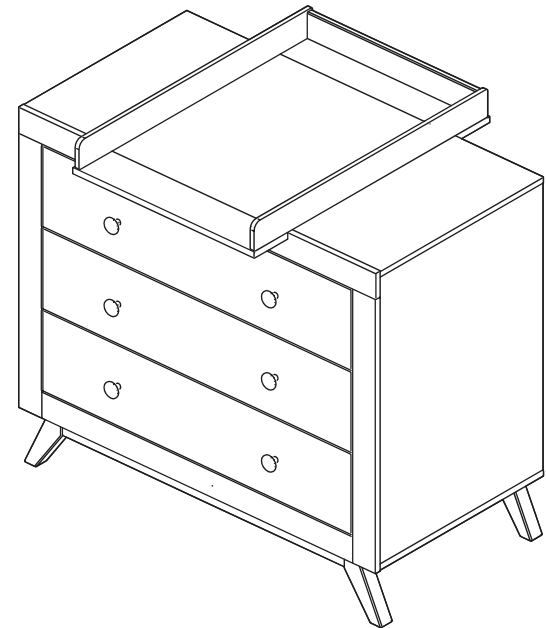
- | | | | | | | | | | | | | | | | |
|----------|------|-----------|-----|-----------|------|-----------|-----|-----------|-------|----------|----|----------|----|----------|----|
| A | 6x30 | WC | 3mm | YB | 5x40 | WC | 4mm | DM | M6x12 | D | M6 | B | | C | |
| | x9 | | x1 | | x10 | | x1 | | x2 | | x2 | | x1 | | x1 |



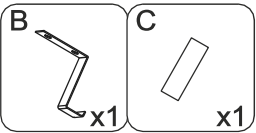
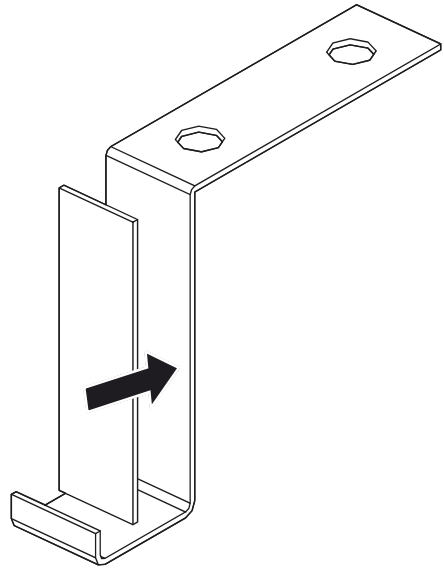
9



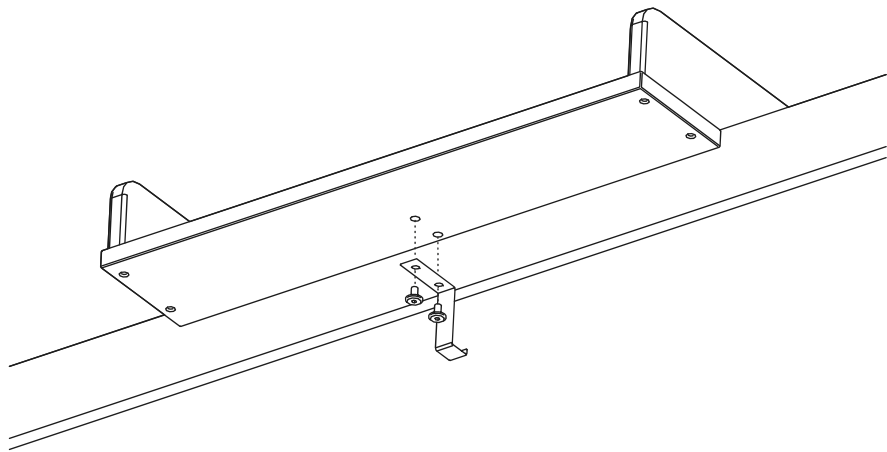
10



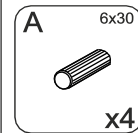
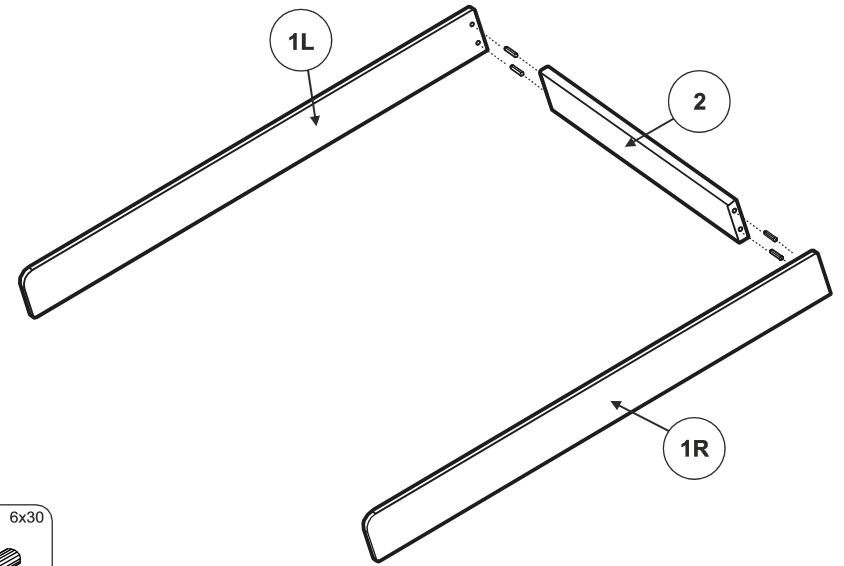
7



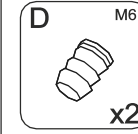
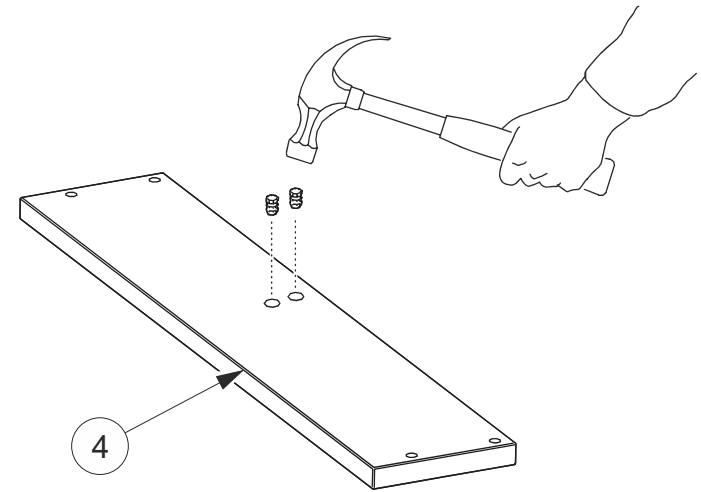
8



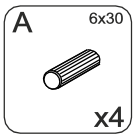
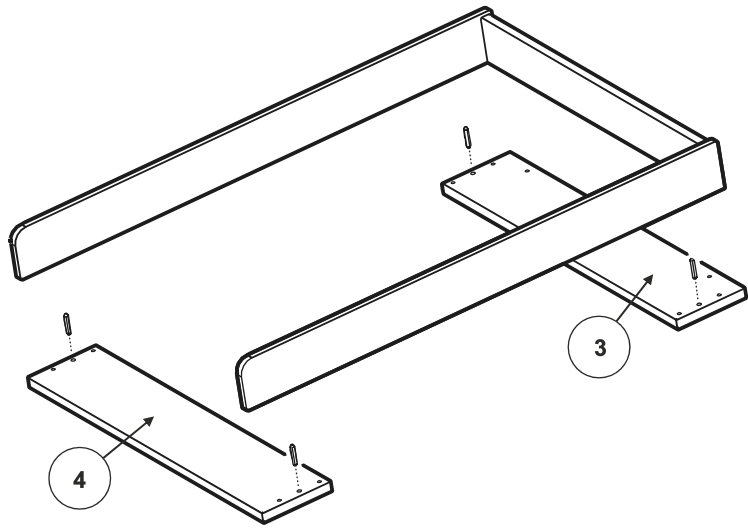
1



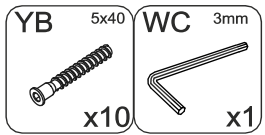
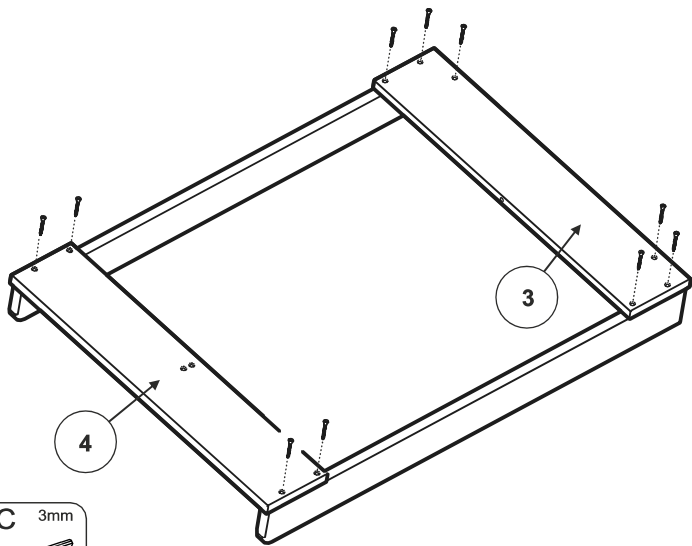
2



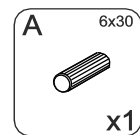
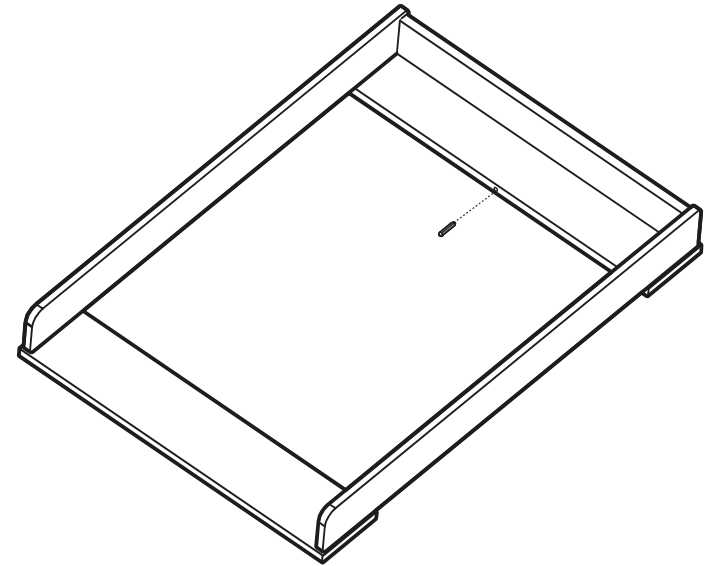
3



4



5



6

