

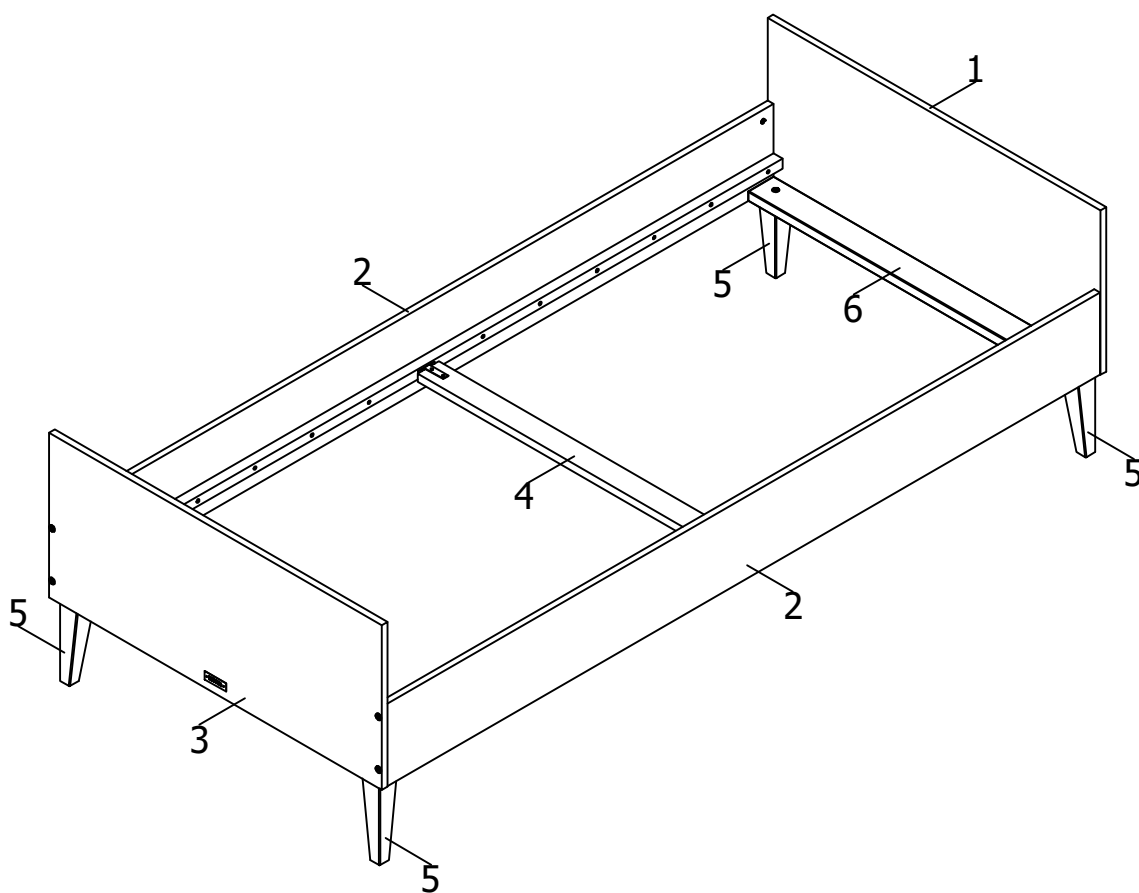
bopita®

ASSEMBLY INSTRUCTION
MONTAGE HANDLEIDING
MONTAGE ANLEITUNG
NOTICE DE MONTAGE
MANUAL DE MONTAJE

UK
NL
D
F
ESP

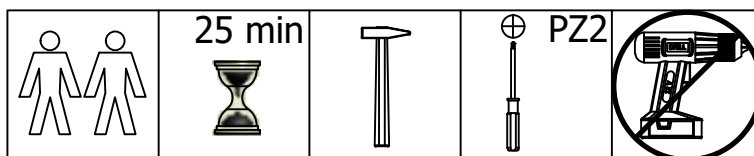
MODEL
TYPE
COLOUR
ART.CODE

:INDY
:BED 90X200
:WHITE/NATURAL
:154195.03





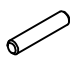
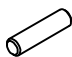



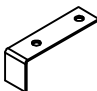


Distributor:

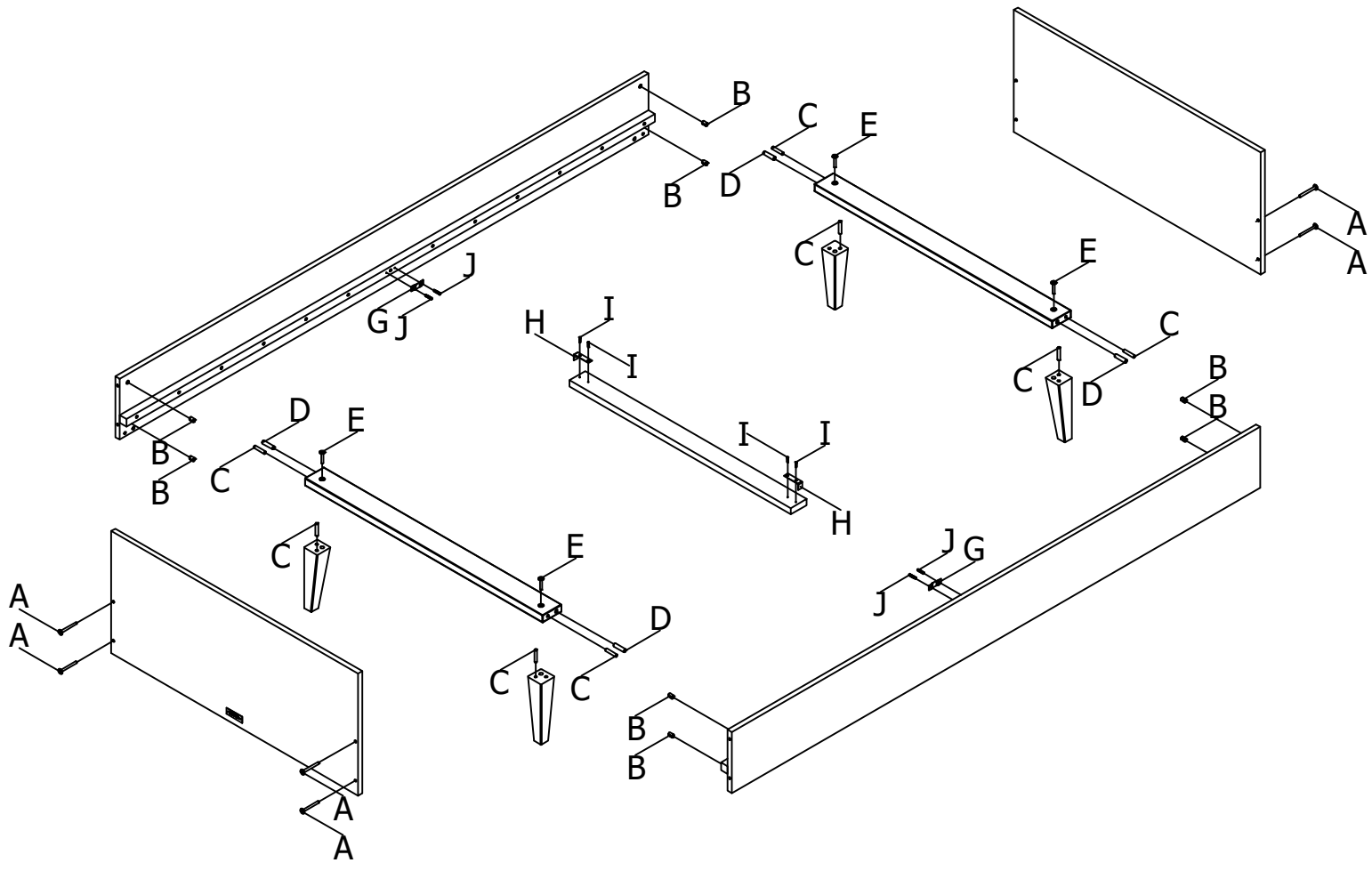
BOPITA
Energieweg 1
6662 NS Elst
The Netherlands



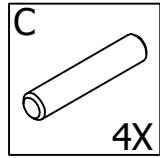
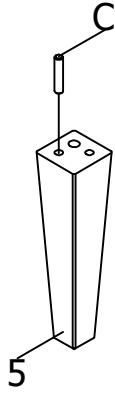
www.bopita.com

16.03.2020.

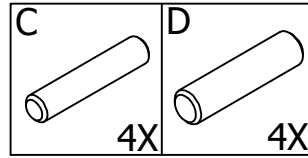
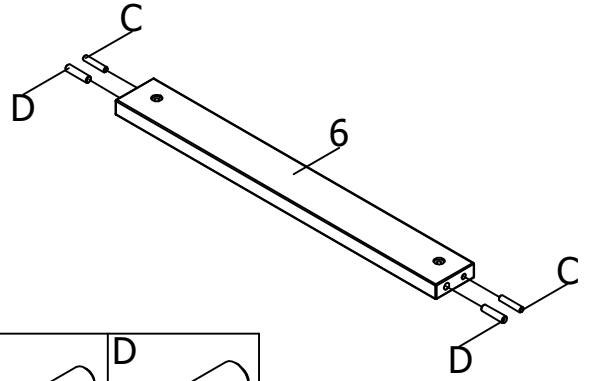
A	B	C	D	E	F
					
M6X60	M6	Ø8X40	Ø10x40	M6X35	SW4
8X	8X	8X	4X	4X	1X
G	H	I	J		
					
		3,5X16	3,5X25		
2X	2X	4X	4X		



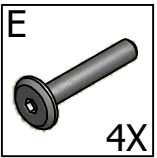
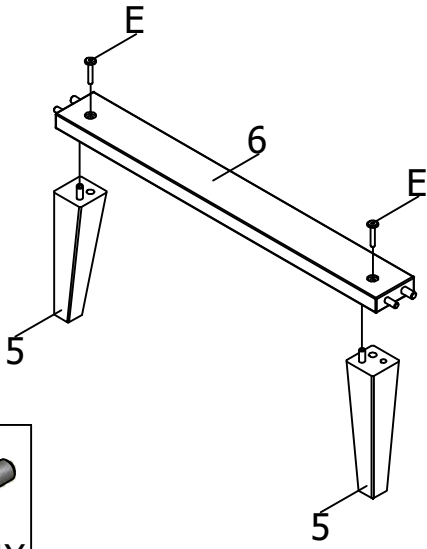
1



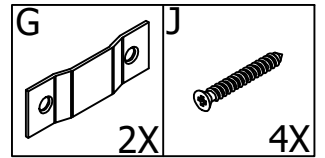
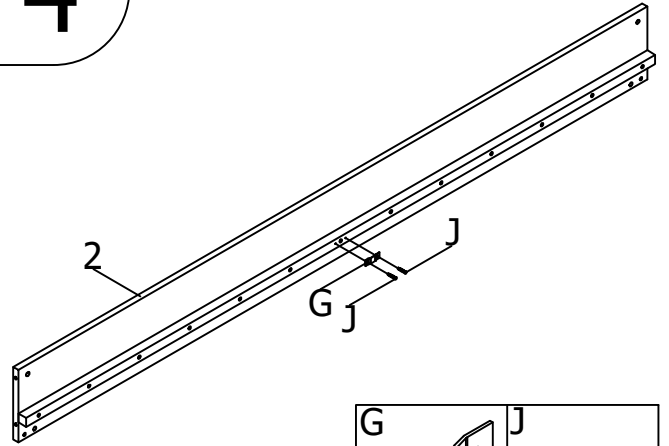
2



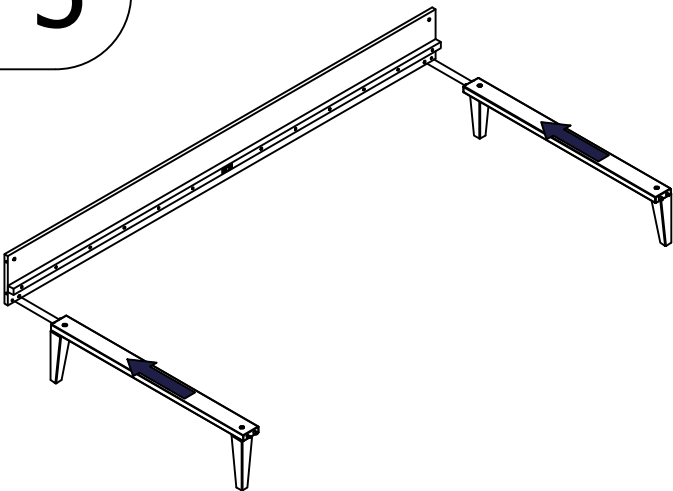
3



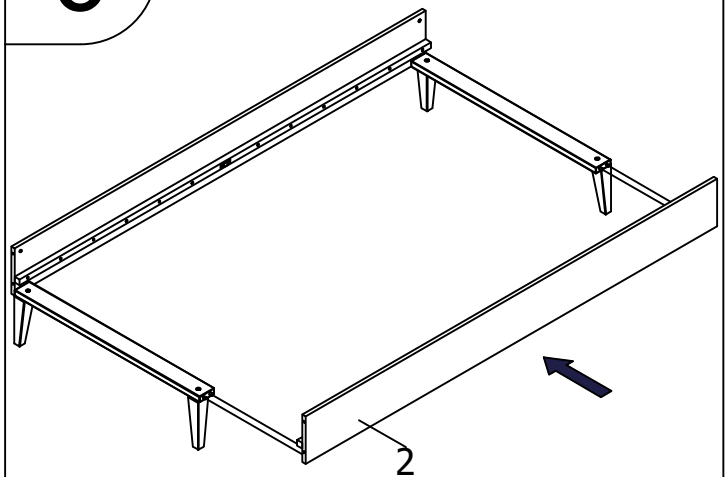
4



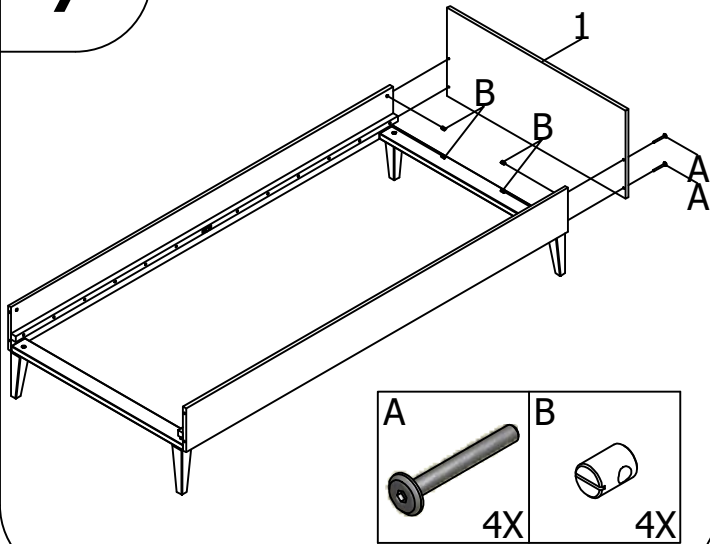
5



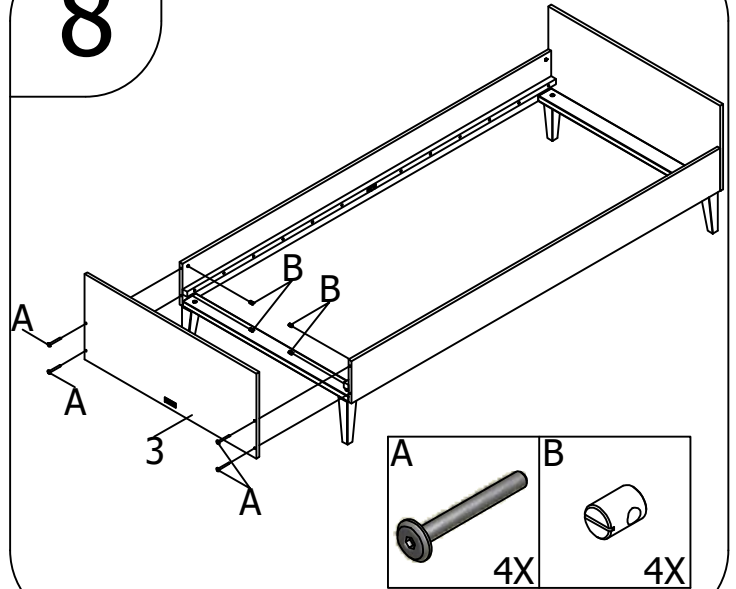
6



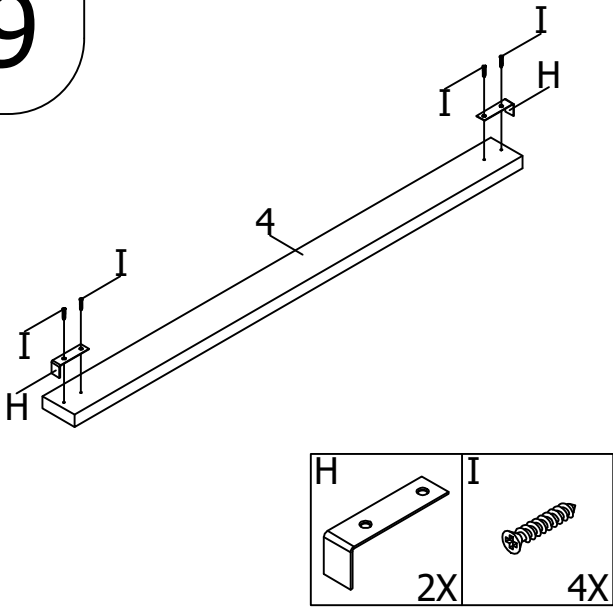
7



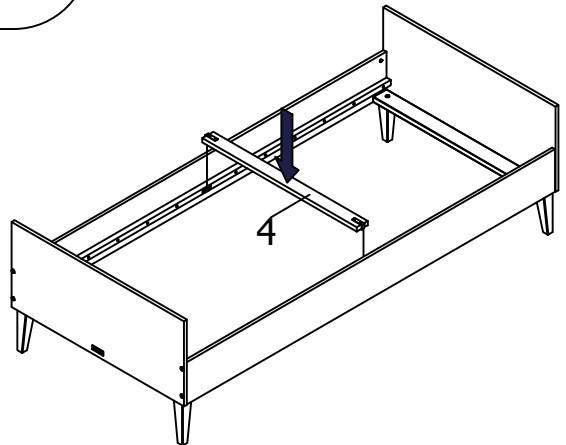
8



9



10



11

