

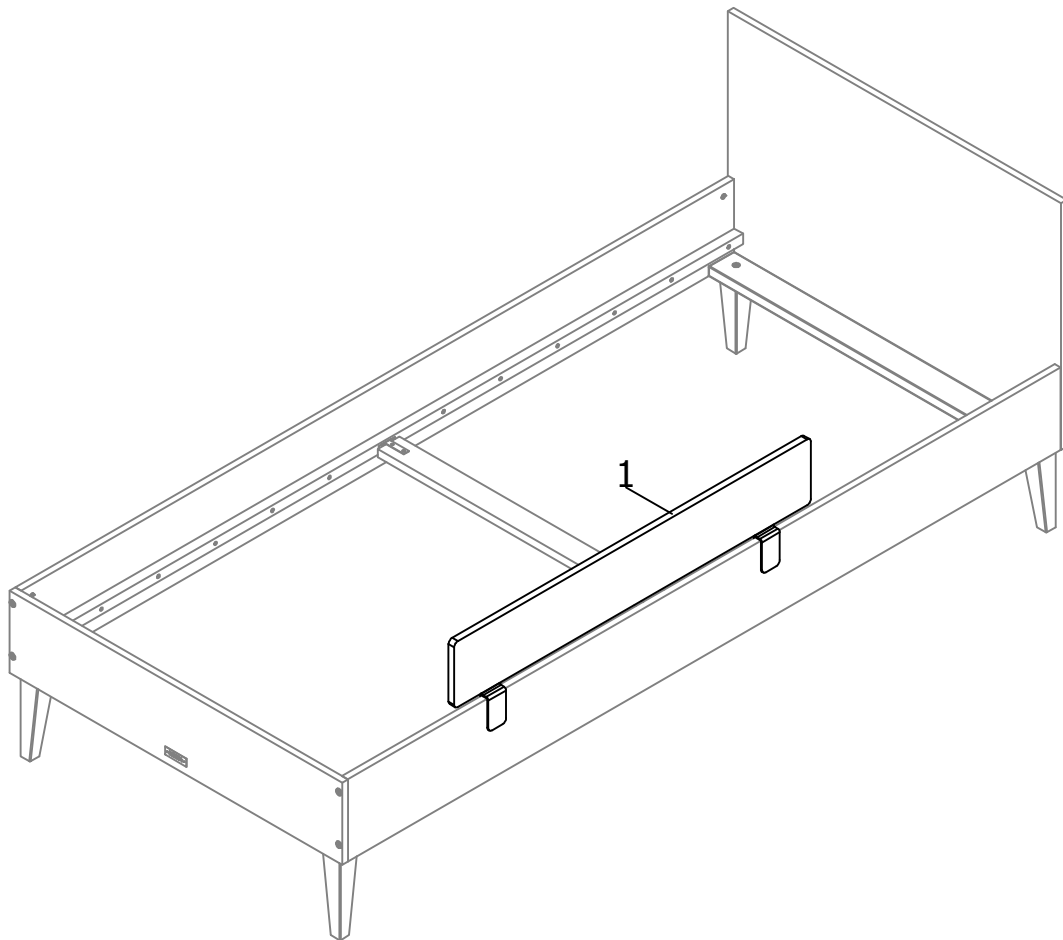
bopita®

ASSEMBLY INSTRUCTION
MONTAGE HANDLEIDING
MONTAGE ANLEITUNG
NOTICE DE MONTAGE
MANUAL DE MONTAJE

UK
NL
D
F
ESP

MODEL
TYPE
COLOUR
ART.CODE

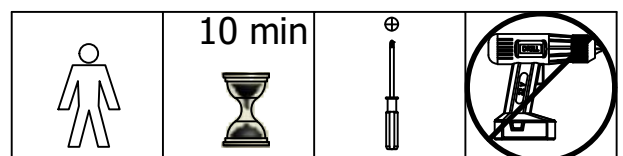
:UNIVERSAL
:PROTECTION SIDE FOR SIDES 16 MM
:WHITE
:196202.11.






Distributor:

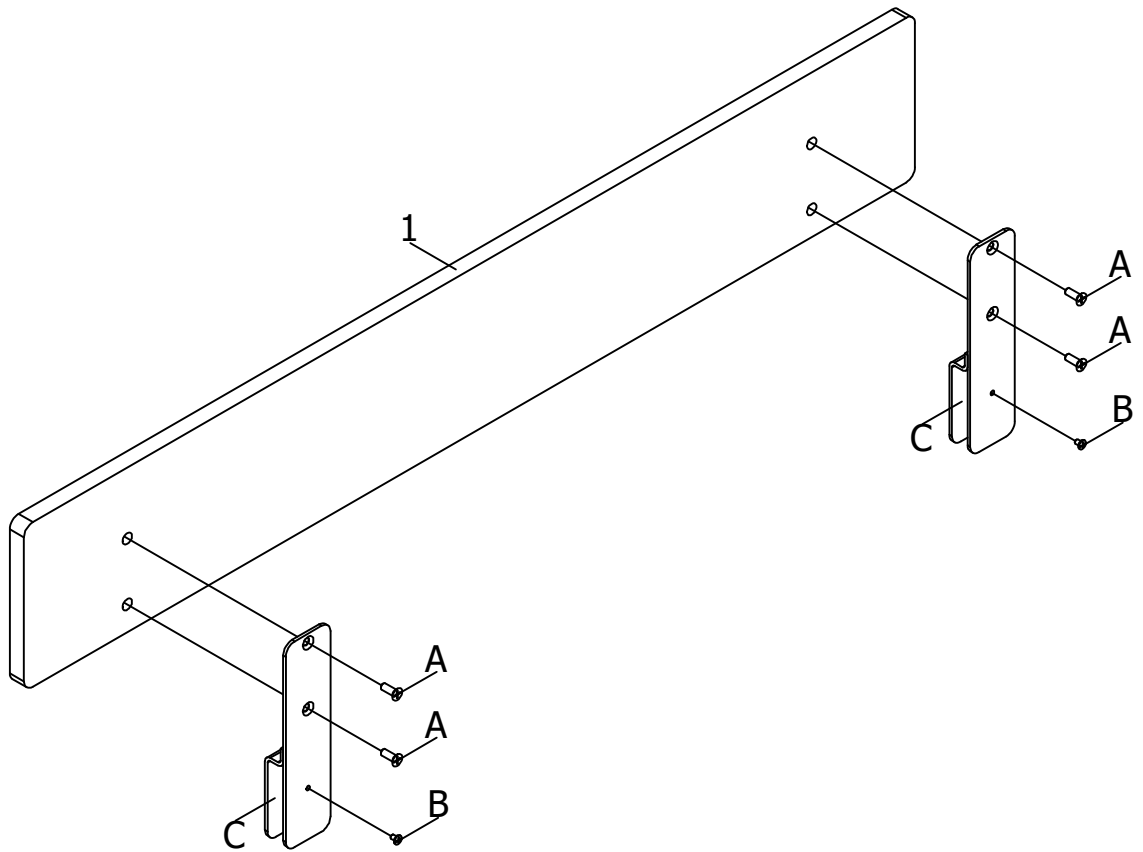
BOPITA
Energieweg 1
6662 NS Elst
The Netherlands

www.bopita.com

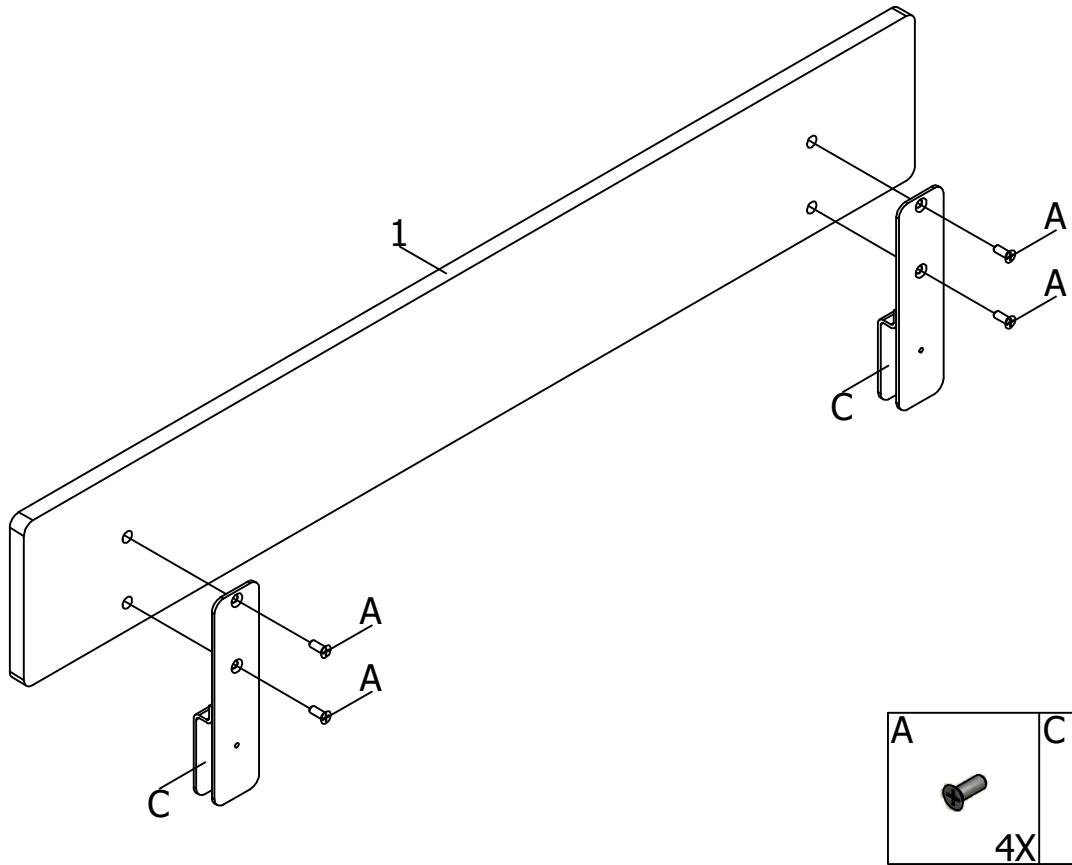


04.05.2020.

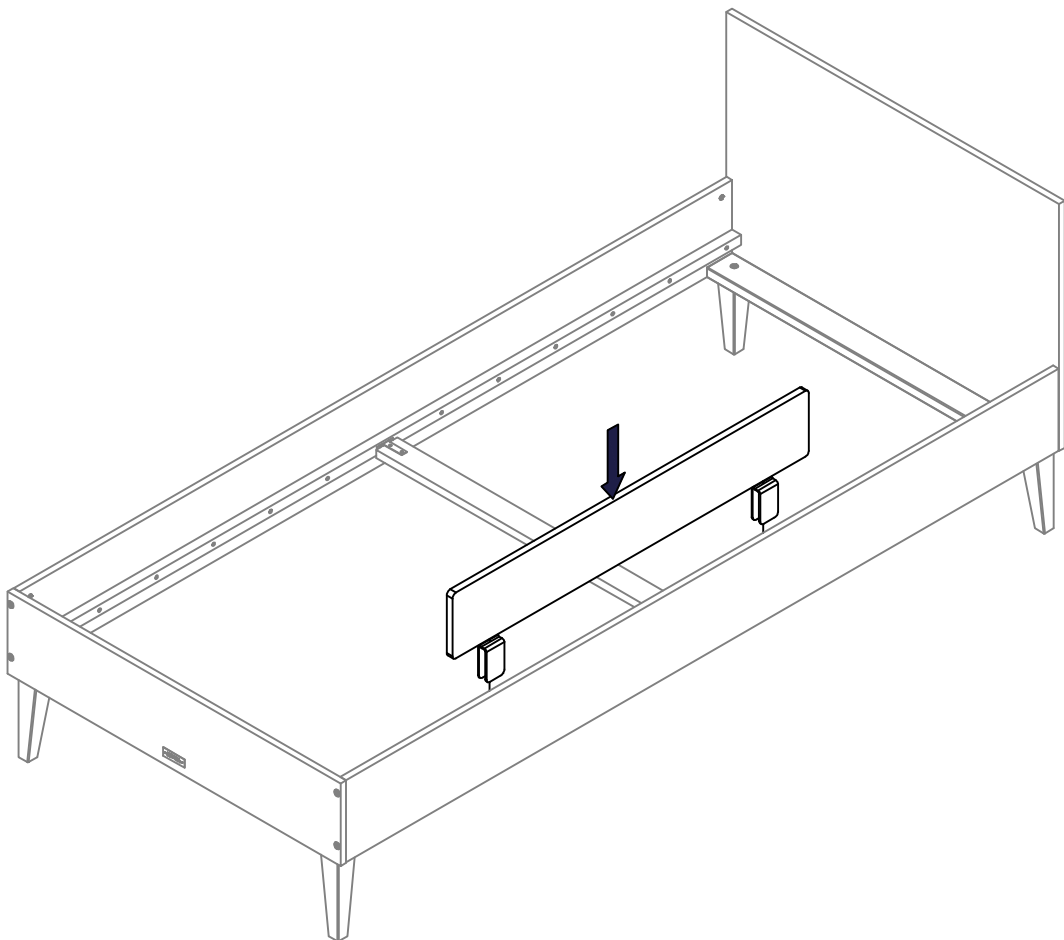
<p>A</p>  <p>M6X10 4X</p>	<p>B</p>  <p>M4X6 2X</p>	<p>C</p>  <p>2X</p>
---	--	---



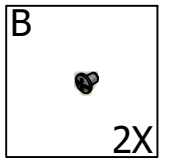
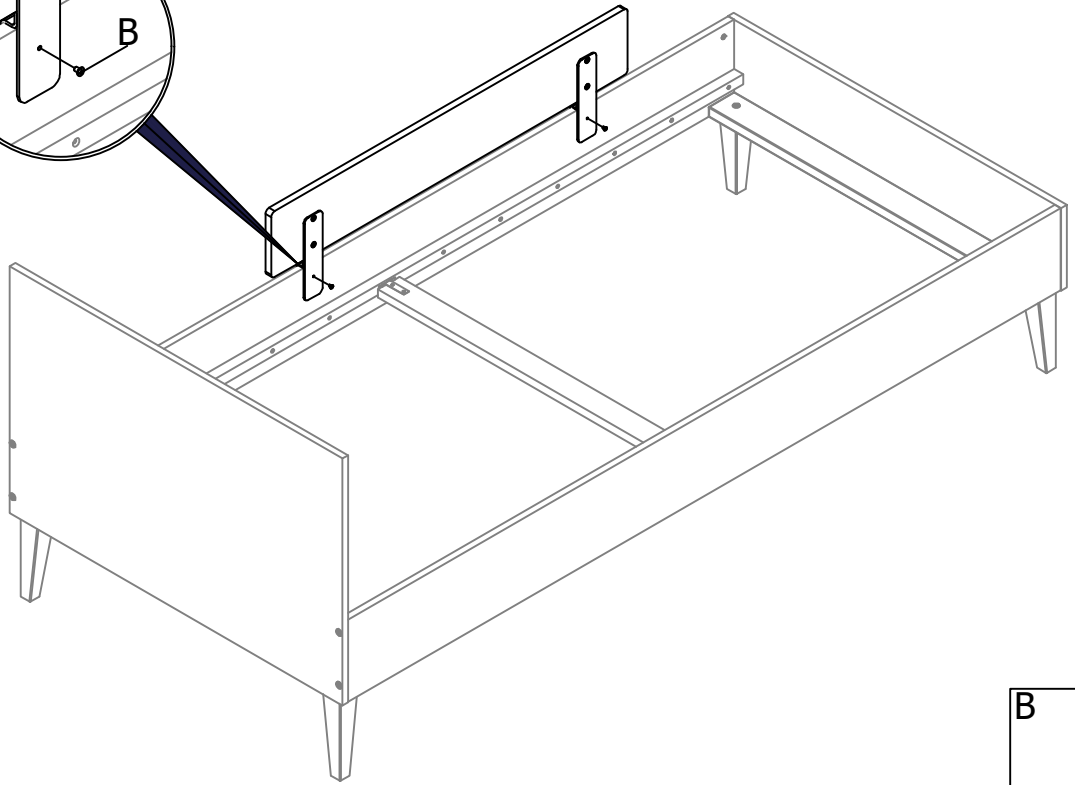
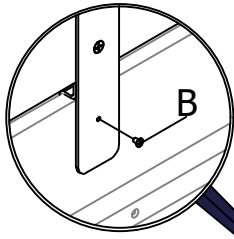
1



2



3



4

