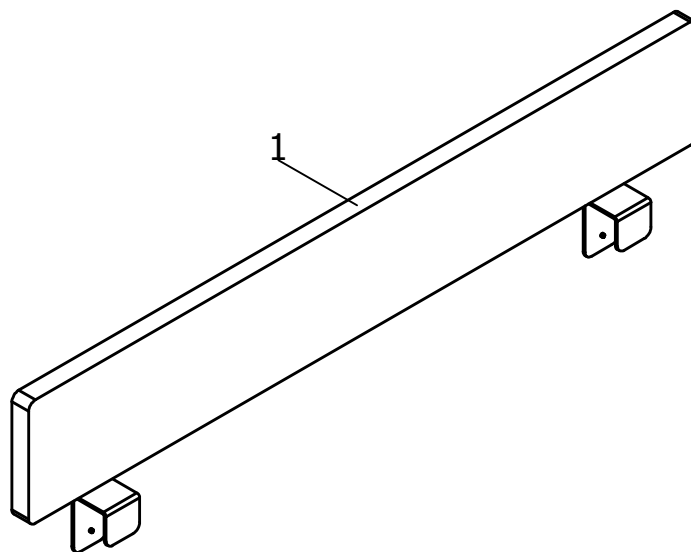


bopita®

ASSEMBLY INSTRUCTION
MONTAGE HANDLEIDING
MONTAGE ANLEITUNG
NOTICE DE MONTAGE
MANUAL DE MONTAJE

UK
NL
D
F
ESP

MODEL : UNIVERSAL PROTECTIONSIDE
TYPE : FOR SIDES 44 MM
COLOUR : WHITE
ART.CODE : 196200.11.



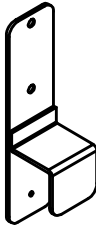


Distributor:

BOPITA
Energieweg 1
6662 NS Elst
The Netherlands

www.bopita.com

12.08.2020.

A	B	C
		
M6X16 4X	M4x6 2X	2X
artcode: 431027	artcode: 443206	artcode: 973064

