


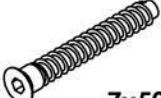



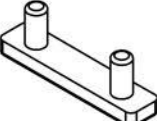




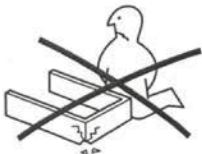

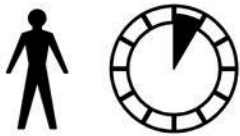
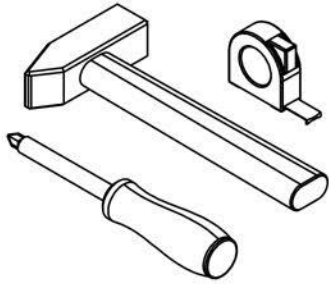


WRITING DESK INDY

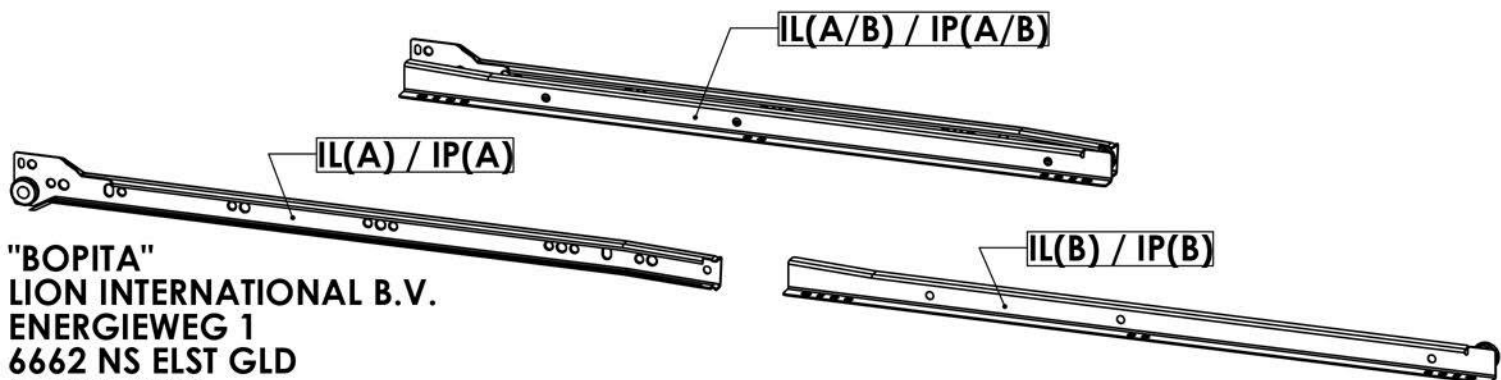
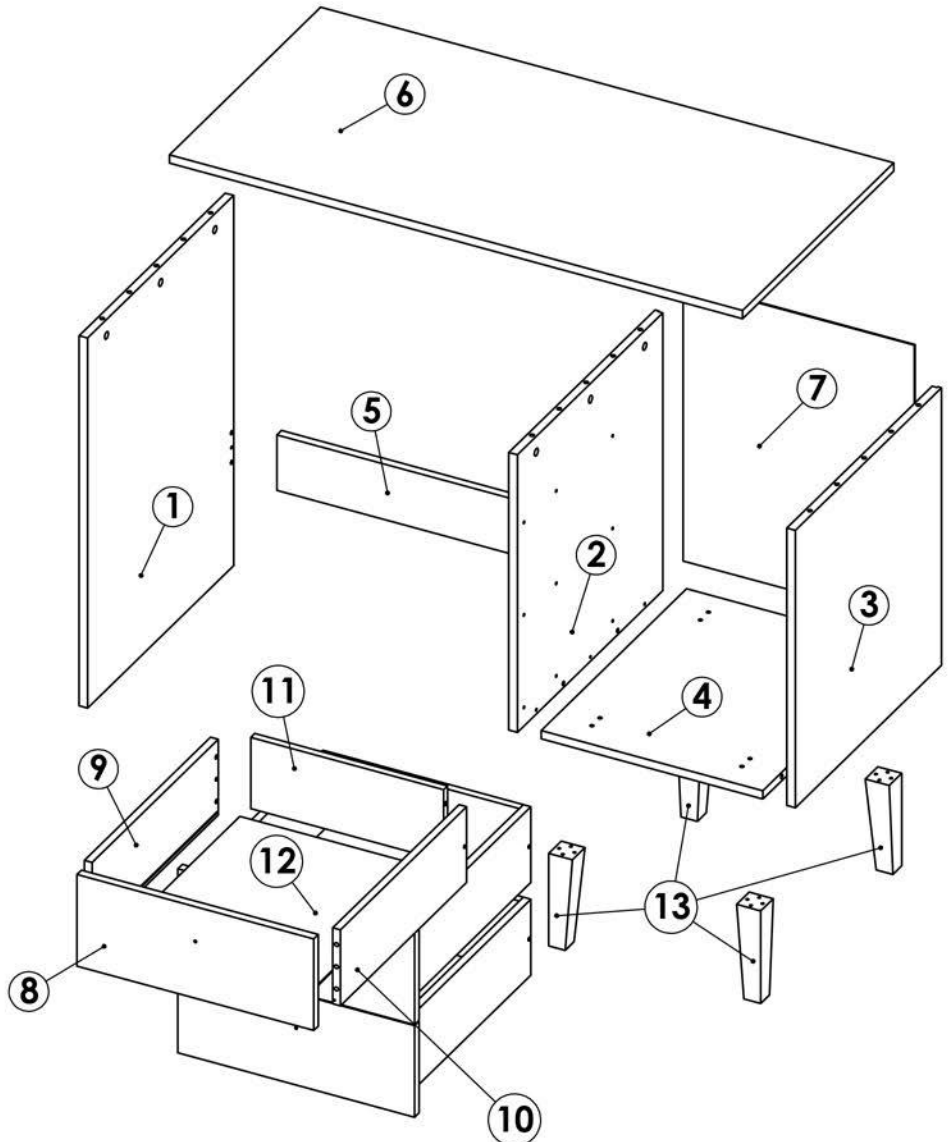
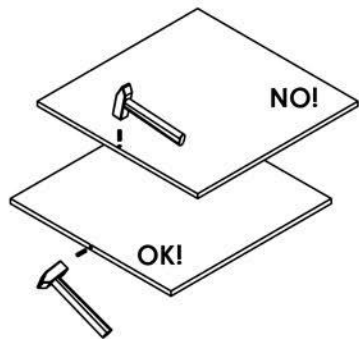
Art.code : 132 19 503

04.05.2020

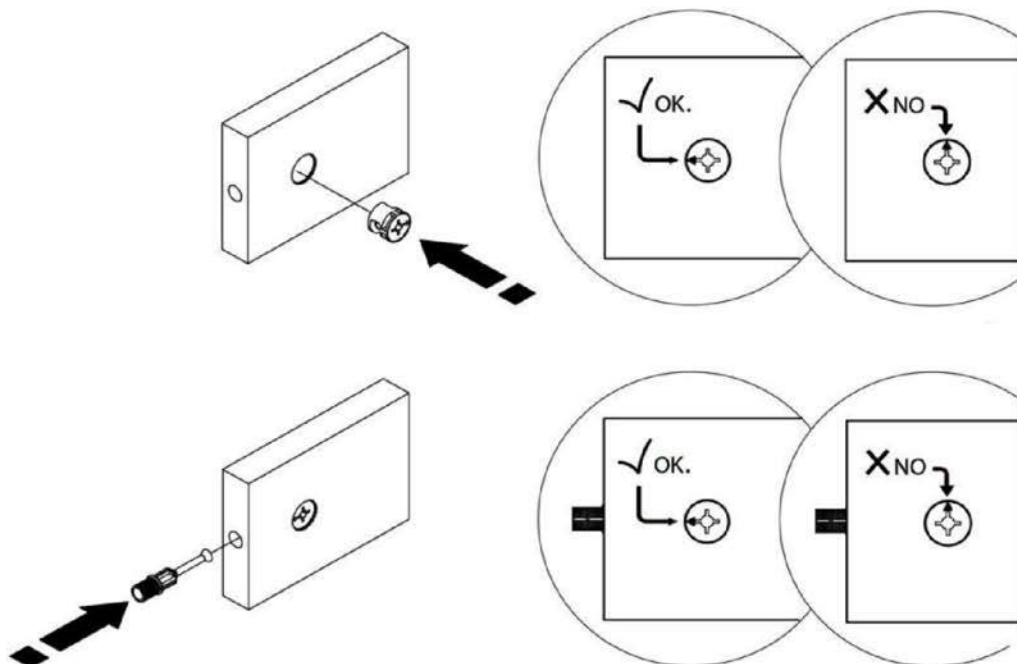
							
A x 23	B x 14	C x 38	D x 14	E x 12	F x 23	G x 9	H x 2
							
IL(A/B) / IP(A/B) x 3/3		J x 3	K x 18	L x 1			









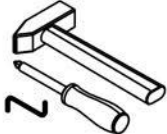
60 min.

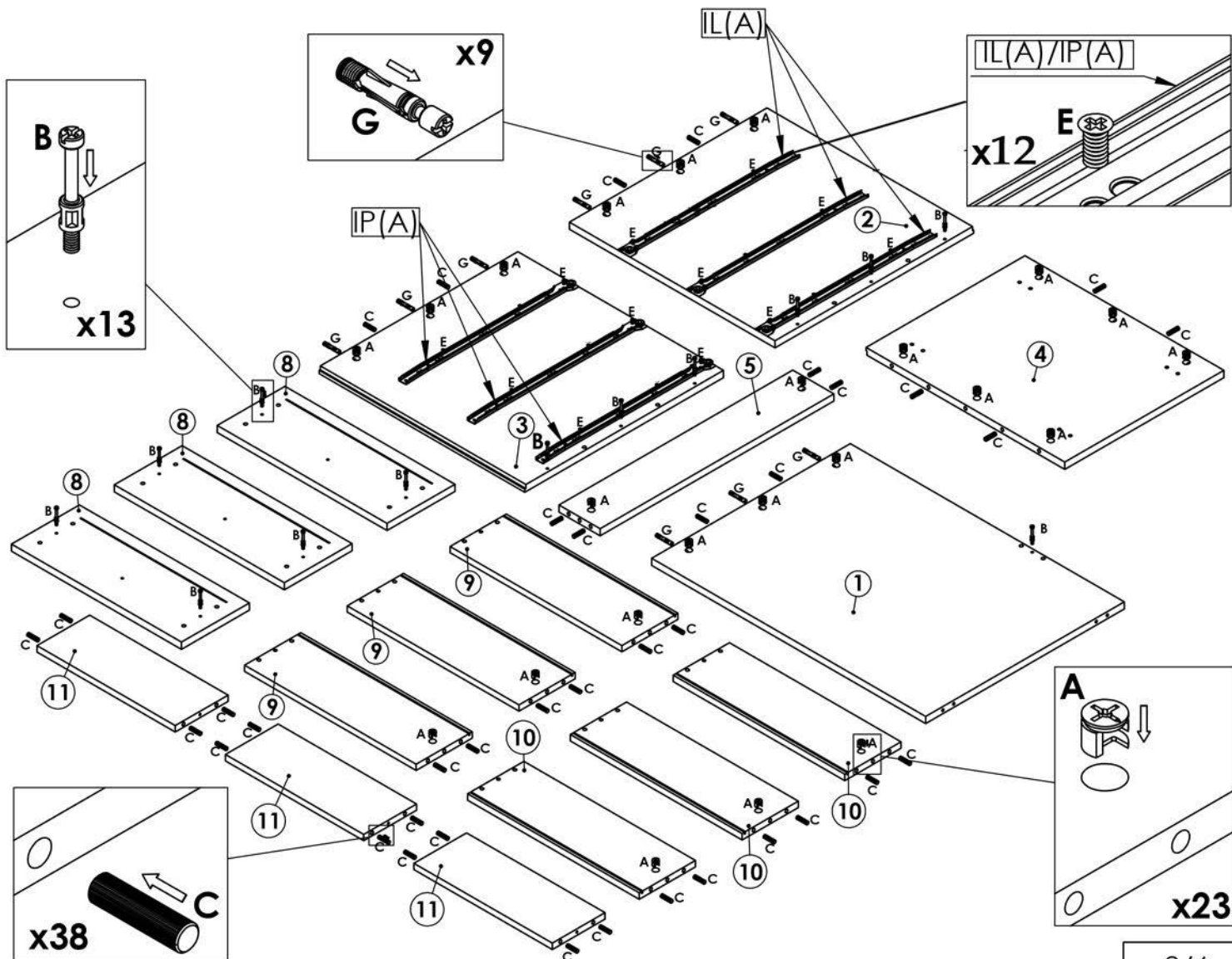


"BOPITA"
LION INTERNATIONAL B.V.
ENERGIEWEG 1
6662 NS ELST GLD
NEDERLAND
www.bopita.com

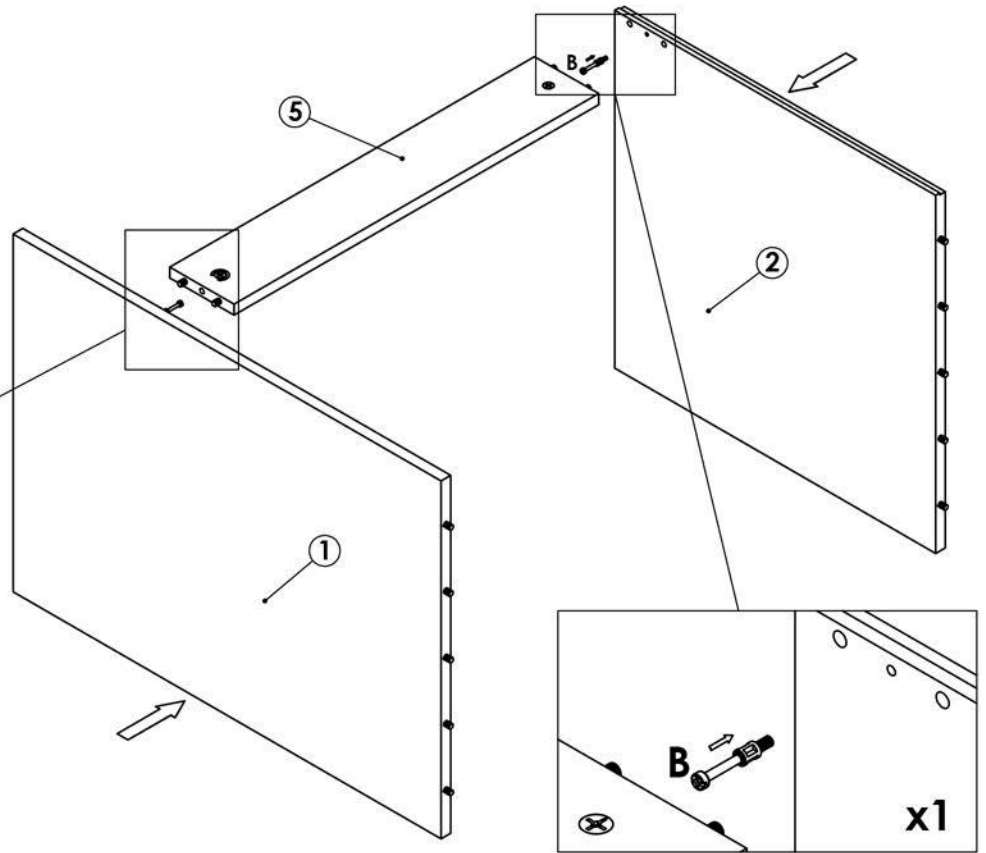
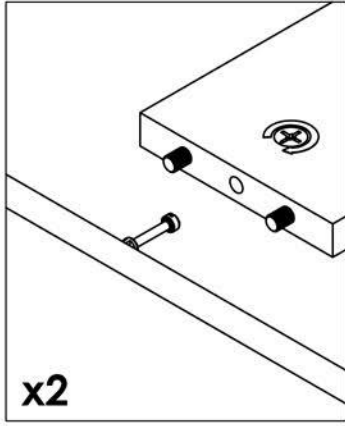
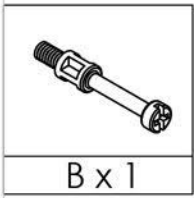


STEP - 1

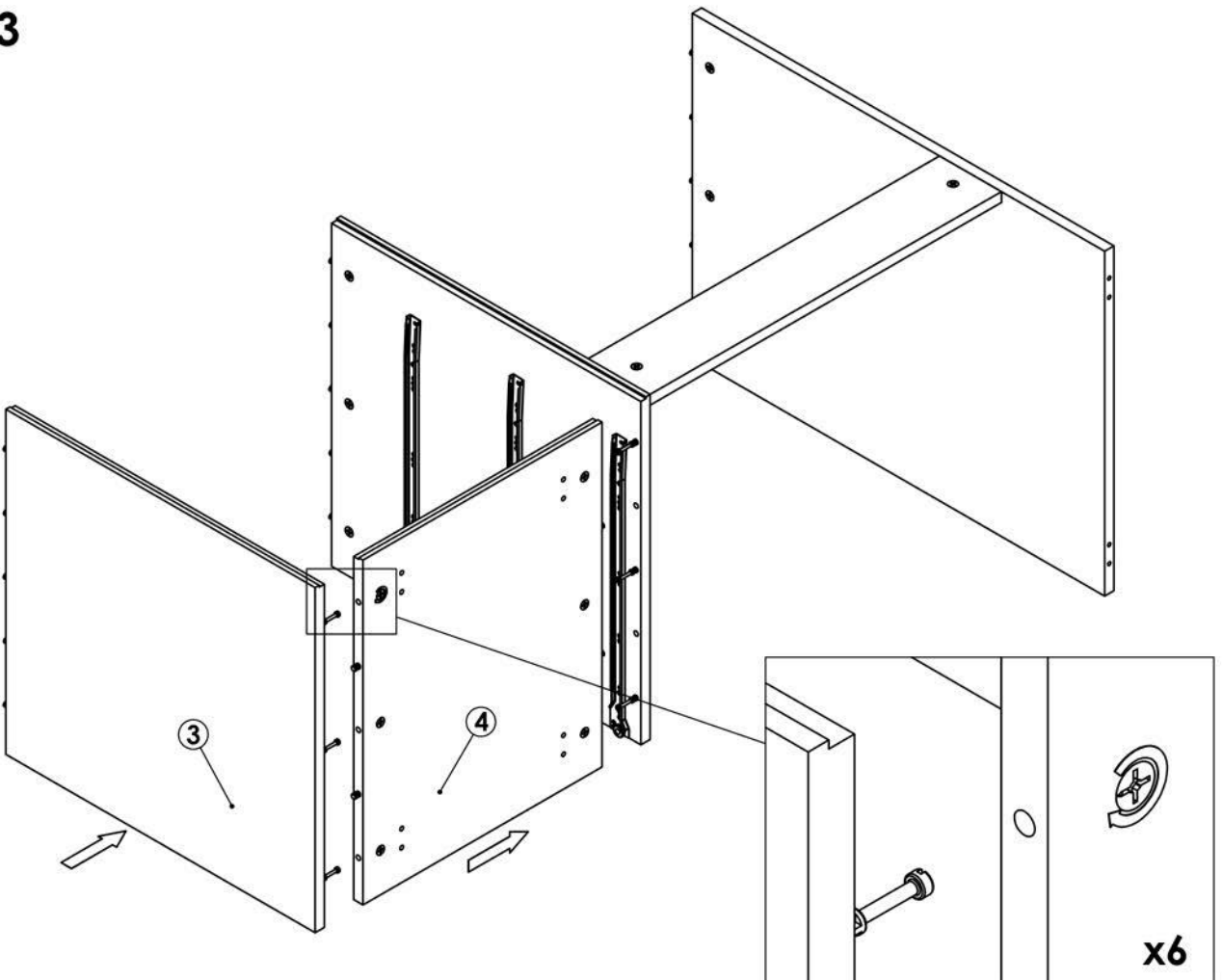
						
A x 23	B x 13	C x 38	E x 12	G x 9	IL(A) / IP(A) x 3/3	



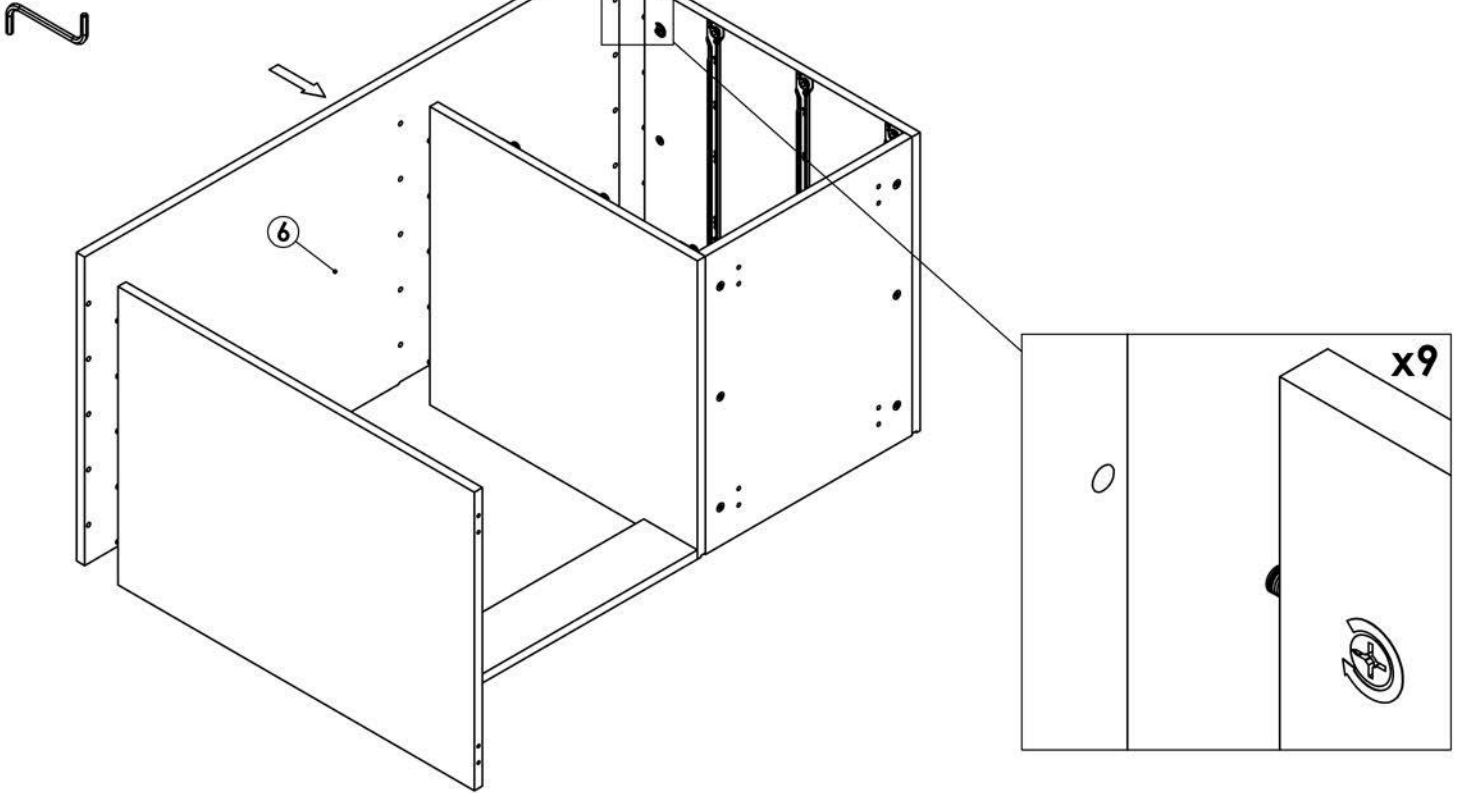
STEP - 2



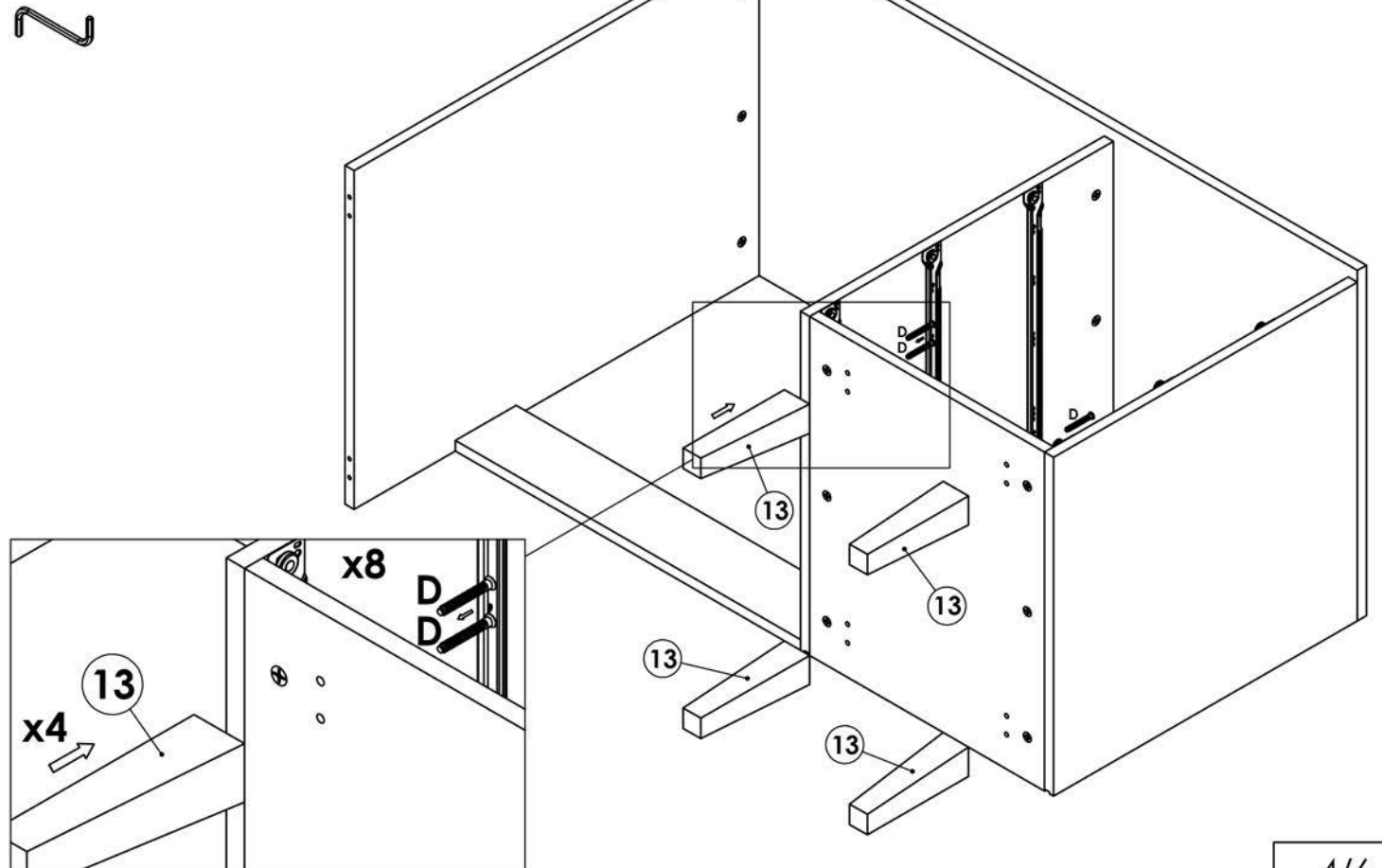
STEP - 3



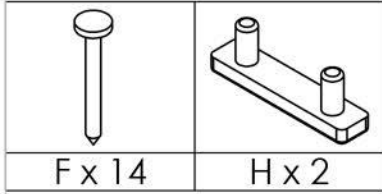
STEP - 4



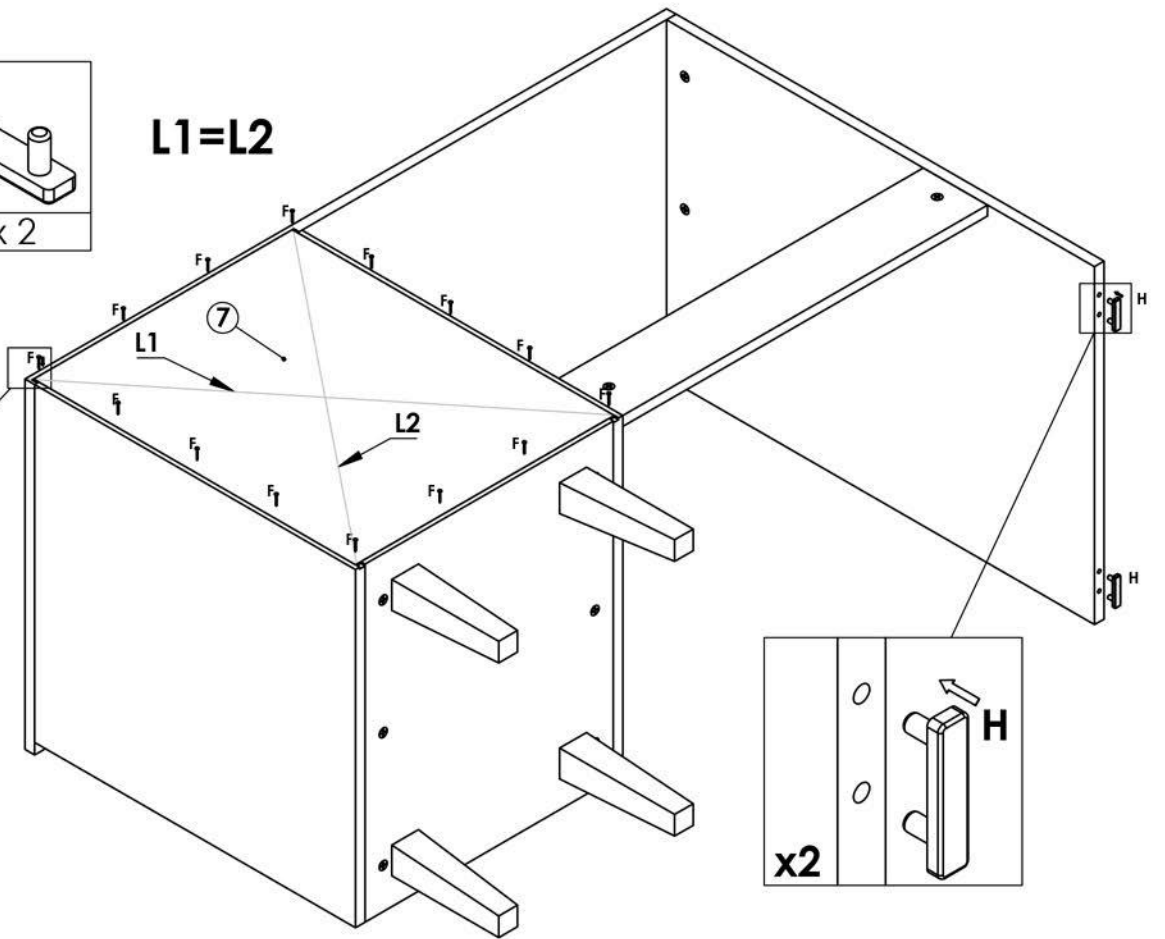
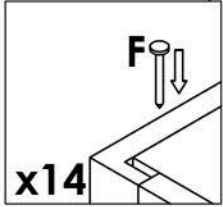
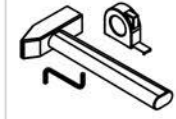
STEP - 5



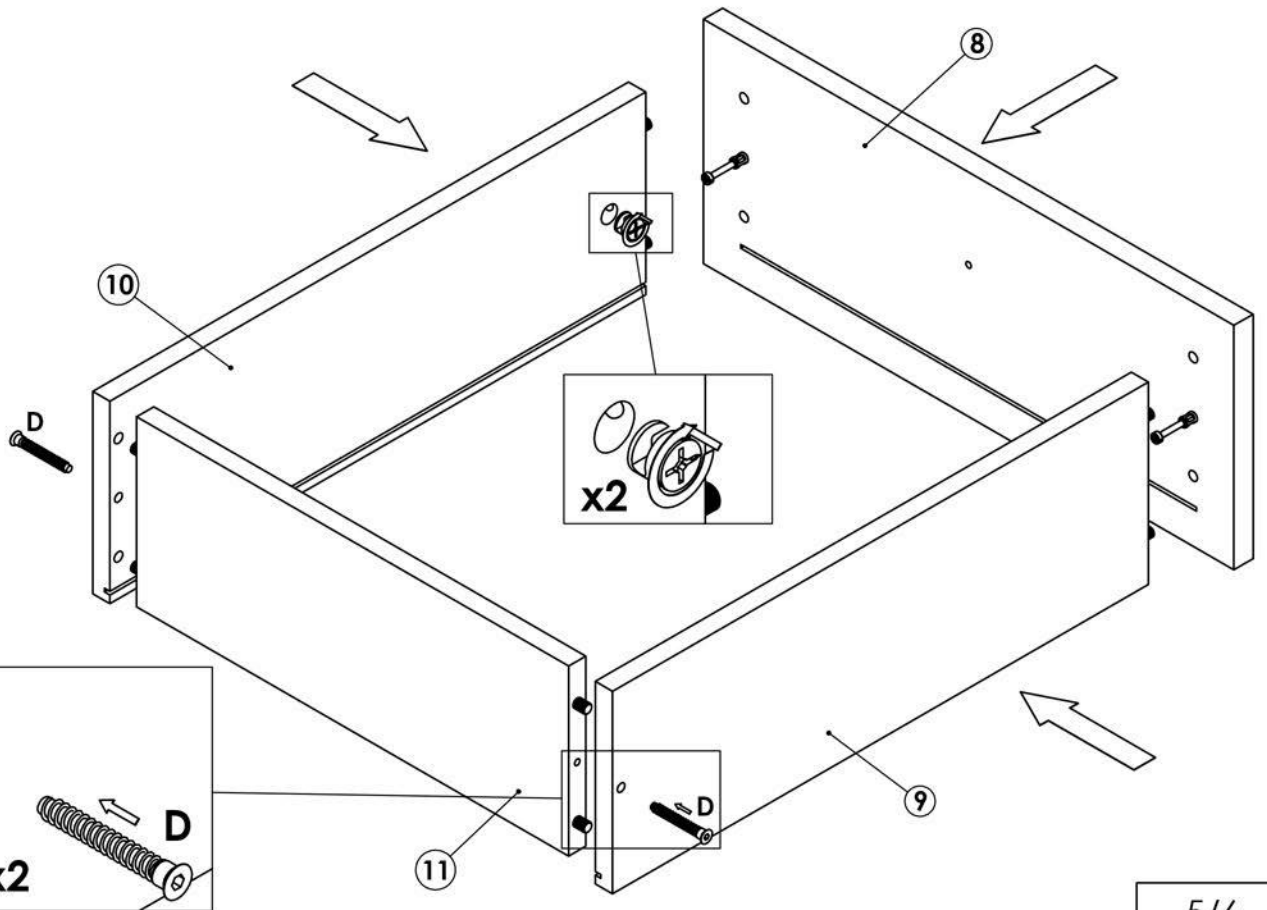
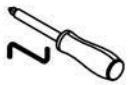
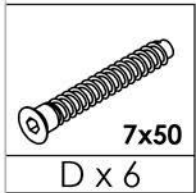
STEP - 6






L1=L2

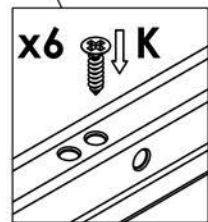
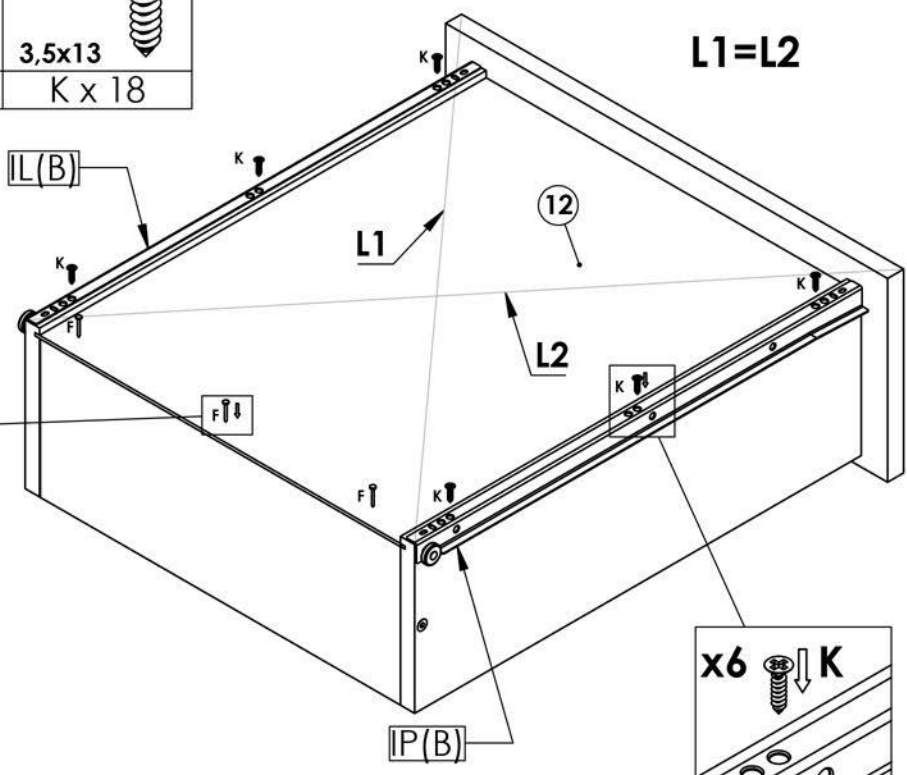
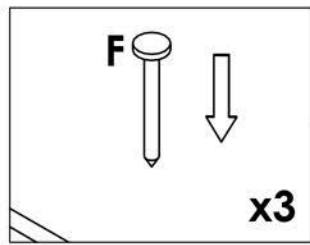
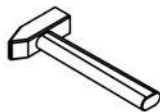


STEP - 7 - x3





STEP - 8 - x3

		
IL(B) / IP(B) x 3/3	F x 9	3,5x13 K x 18



STEP - 9

	
J x 3	

